

# U Interface Transformer (2B1Q Coding Applications)

Designed for use with National TP 3410

|                                     |          |
|-------------------------------------|----------|
| Turns Ratio ( ± 3 % ) (Line : Chip) | 1.50 : 1 |
|-------------------------------------|----------|

| PARAMETER   | MIN. | MAX. | UNITS            |
|---|------|------|------------------|
| Primary Inductance (Line Side)<br>Pins 4 to 2 with 1 & 5 shorted. | 25.4 | 28.6 | mH               |
| Primary DC Resistance   |      | 20   | ohms             |
| Secondary DC Resistance   |      | 3.0  | ohms             |
| Isolation (Hi-Pot)  | 2000 |      | V <sub>RMS</sub> |
| DC Bias   |      | 60   | mA               |
| Return Loss 10KHz & 25 KHz  | 20   |      | dB               |
| Longitudinal Balance<br>(281 Hz to 40 KHz)                        | 55   |      | dB               |

Flammability: Materials used in the production of these units meet requirements of UL94-VO and IEC 695-2-2 needle flame test.

*A Surface Mount Version of this part is available  
add suffix "G" to part number*

**NOTE:**  
Operating Temp. Range -40°C to +85°C

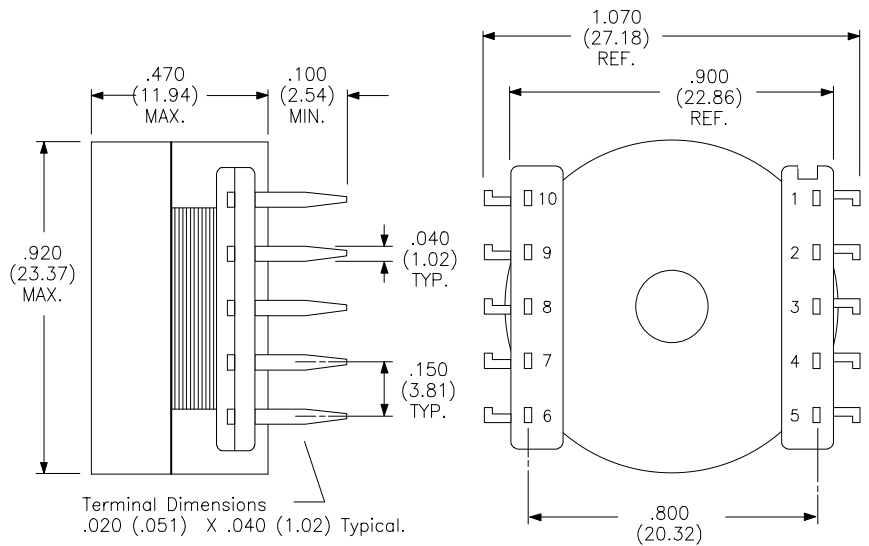
Primary is Line Side (Pins 1,2,4,5)  
Secondary is Chip Side (Pins 7,8,9)

**Surge Voltage Capability**

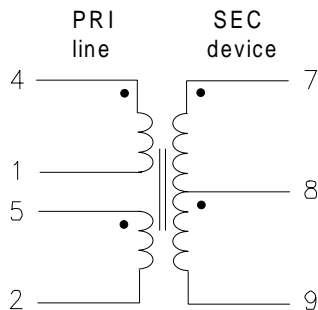
Metallic Voltage: 800 V peak, 10/560 μS

Longitudinal Voltage: 2400 V peak, 10/700 μS

**Physical Dimensions  
inches (mm)**



**Schematic Diagram**



Notch Indicates Pin #1

|                      |               |
|----------------------|---------------|
| RHOMBUS P/N: T-13211 |               |
| CUST P/N:            | NAME:         |
| DATE: 7/2/96         | SHEET: 1 of 1 |