

T3 Interface Transformer

Also suitable for DS3, E3 and STS-1 interfaces

Turns Ratio (± 3%)

1:2CT

PARAMETER	MIN.	MAX.	UNITS
Inductance	19		μHy
Rise Time		3.0	nS
Leakage Inductance		0.06	μHy
Capacitance (C _{ww})		10	pF
Primary DC Resistance		0.2	ohms
Isolation	1500		V _{RMS}

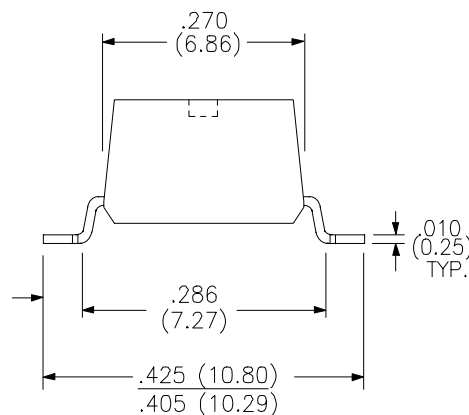
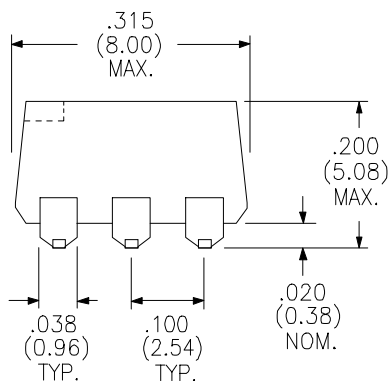
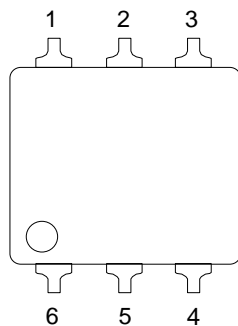
Flammability: Materials used in the production of these units are UL94-VO and meet requirements of IEC 695-2-2 needle flame test.

Parts shipped in anti-static tubes. 55 pieces per tube

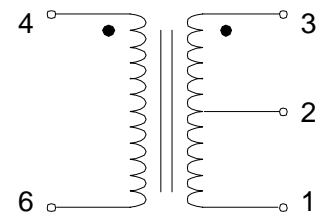
Tape & Reel Available

3 dB Bandwidth is .250 - 500 (MHz) typical, tested in a 75 ohm system

Dimensions in inches (mm)



Schematic Diagram



RHOMBUS P/N: **T-13101B**

CUST P/N:

NAME:

DATE: **9/01/99**

SHEET: 1 OF 1