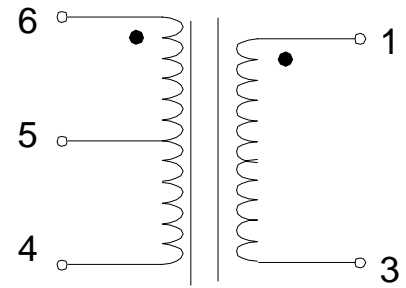


T1 Transformer

Turns Ratio $\pm 2\%$ (Pin 6-4 : Pin 1-3) 2.42 : 1

PARAMETER	MIN.	MAX.	UNITS
Primary Inductance ⁽¹⁾ Pins 6-4	2.3		mH
Leakage Inductance ⁽²⁾ Pins 6-4 Pins 1-3 Shorted		2.0	μ H
Interwinding Capacitance ⁽¹⁾		25	pF
DC Resistance (Pin 1-3)	0.19	0.23	ohms
DC Resistance (Pin 6-4)	.49	.60	ohms
Isolation (Hi-Pot) 6 to 1	1500		V _{RMS}

Schematic Diagram

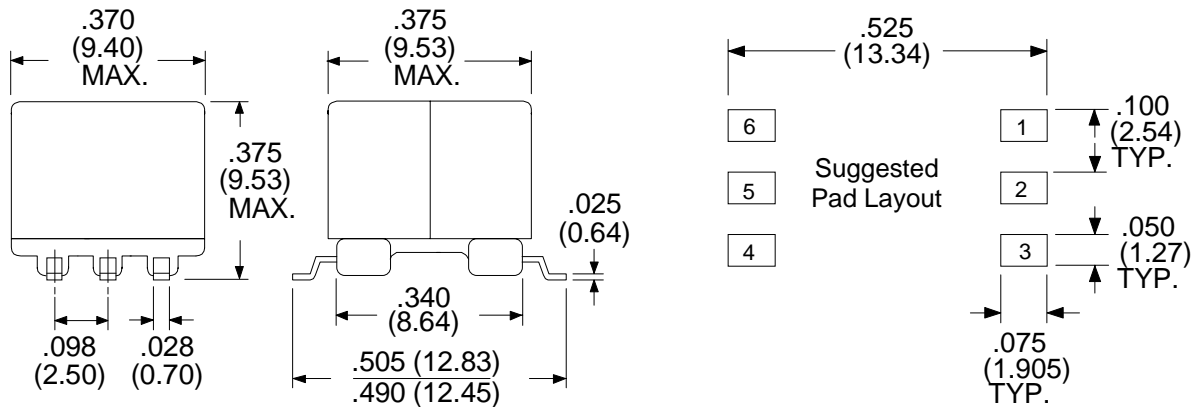


1. Tested at 10 KHz & 1 V
2. Tested at 100 KHz & 100 mV

-Designed to meet UL1950 requirements for supplementary insulation (250V working voltage).

-Designed to accommodate PMC PM4351

Physical Dimensions
inches (mm)



RHOMBUS P/N: T-1286

CUST P/N:

NAME:

DATE: 10/20/99

SHEET: 1 of 1