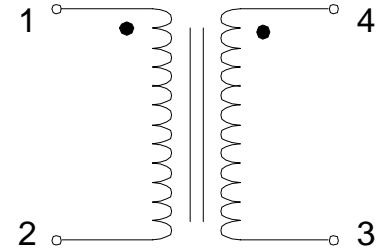


Impedance Transformer

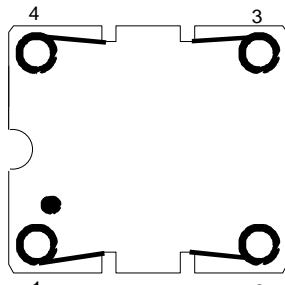
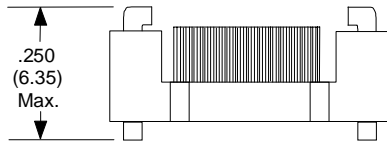
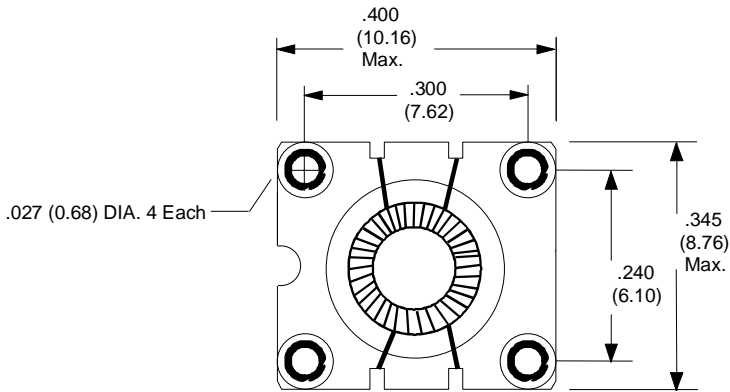
Turns Ratio	(Pin 1-2 : Pin 3-4) 1 : 1
-------------	---------------------------

PARAMETER	MIN.	MAX.	UNITS
Primary Inductance ⁽¹⁾ Pins 1-2	3.29	6.11	mH
Leakage Inductance ⁽¹⁾ Pins 1-2, Pins 4-3 Shorted		0.6	μH
DC Resistance (Pin 1-2 or 4-3)		1.0	ohm
Isolation (Hi-Pot) 1-2 to 3-4	600		V _{RMS}

Schematic Diagram



1. Tested at 100 KHz & 50 mV



● White Dot Indicate Pin #1

Physical Dimensions
inches (mm)

RHOMBUS P/N: T-1236	
CUST P/N:	NAME:
DATE: 4/19/99	SHEET: 1 of 1