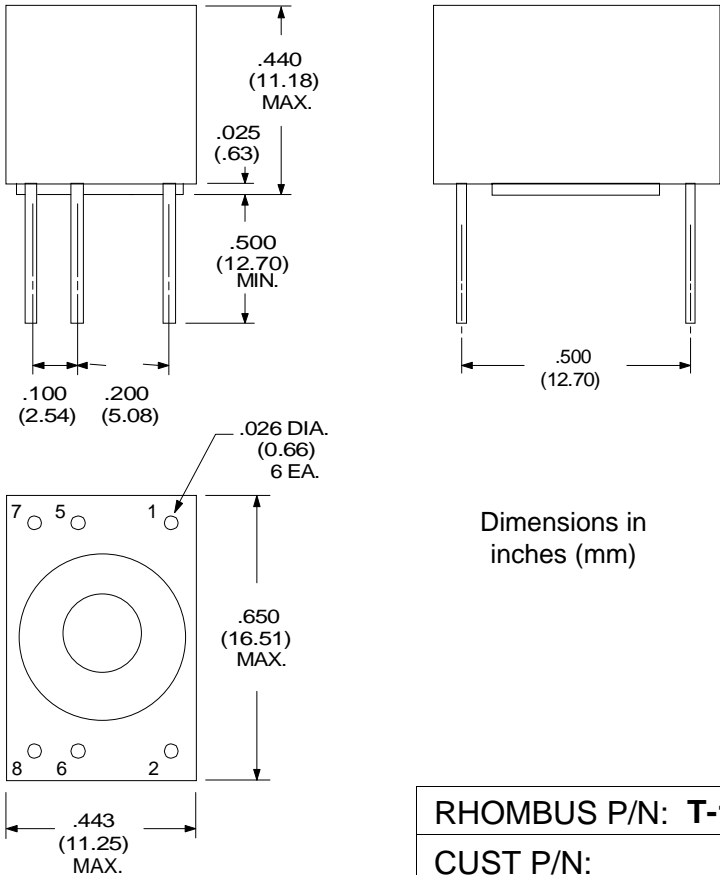
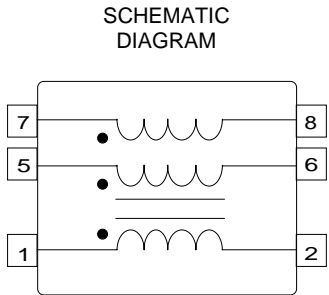


Turns Ratio (± 5%)	1 : 1 : 1
----------------------	-----------

Multi-Purpose Transformer

PARAMETER	MIN.	MAX.	UNITS
Open Circuit Inductance	1.04	1.56	mH
Leakage Inductance		3.2	μH
Interwinding Capacitance (C _{WW})		38	pF
Primary DC Resistance		3.6	ohms
Secondary DC Resistance		3.8	ohms
Tertiary DC Resistance		3.9	ohms
Rise Time		30	ns
Primary ET	91.0		VμS
Isolation (HI-POT)	700		V _{RMS}



RHOMBUS P/N: T-1224	
CUST P/N:	NAME:
DATE: 04/20/99	SHEET: 1 OF 1