

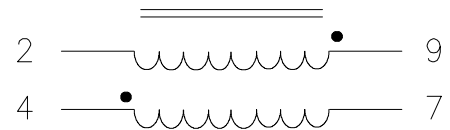
Turns Ratio (± 3 %)

1 : 1

PARAMETER	MIN.	MAX.	UNITS
Inductance Pins 9-2	10.93	12.08	mH
Inductance Pins 4-7	10.93	12.08	mH
Leakage Inductance		150	μH
Interwinding Capacitance		60	pF
DC Resistance Pins 9-2		3.0	ohms
DC Resistance Pins 4-7		3.0	ohms
Isolation (Hi-Pot)	1000		V _{RMS}
DC Bias		100	mA

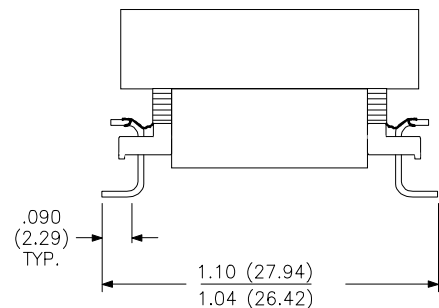
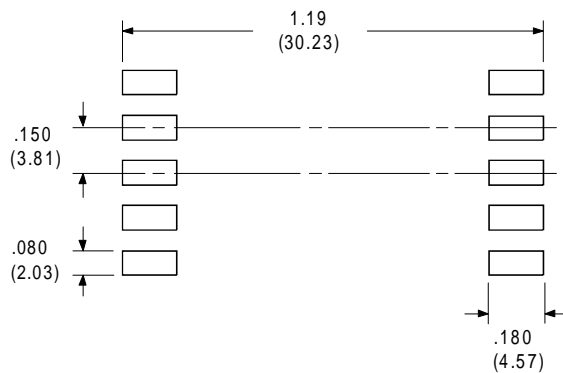
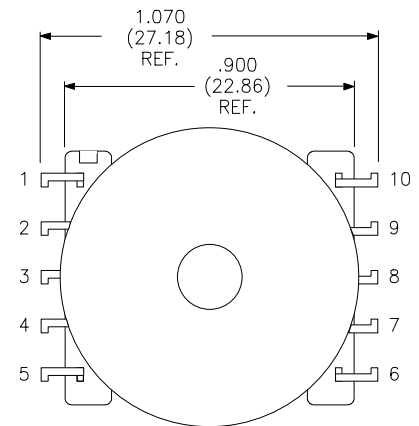
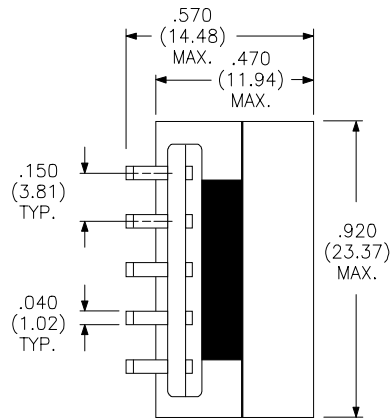
xDSL Filter Inductor

Schematic Diagram



Notch Indicates Pin # 1

Physical Dimensions inches (mm)



RHOMBUS P/N: T-1189G

CUST P/N:

NAME:

DATE: 1/29/99

SHEET: 1 of 1