

"U" INTERFACE TRANSFORMER

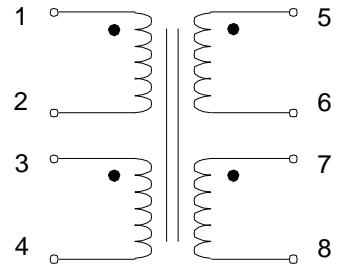
Turns Ratio (± 5%)	1.6 : 1.6 : 1 : 1
----------------------	-------------------

Electrical Specifications at 25°C

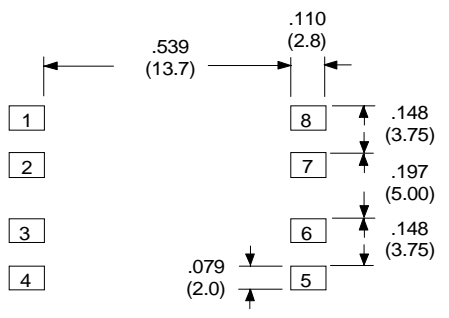
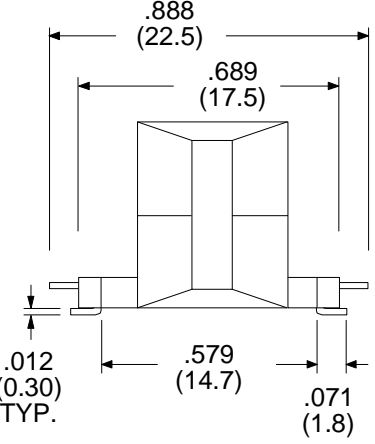
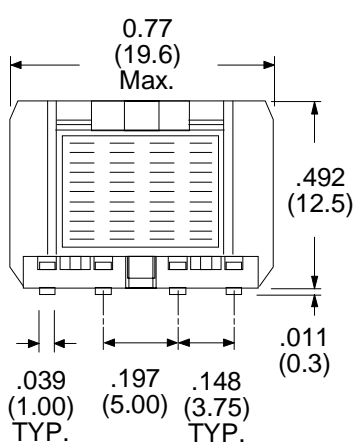
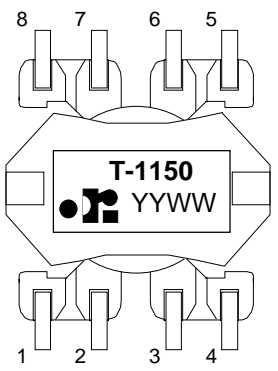
Parameter	Min.	Typ.	Max.	Units
Inductance (1-4), Shorted pins 2-3 ⁽¹⁾		17.5		mH
Inductance (1-4), Shorted pins 2-3 ⁽²⁾	13.3			mH
Leakage Inductance ⁽¹⁾			70	μH
Interwinding Capacitance ⁽¹⁾		90		pF
DC Resistance (1-4) With pins 2-3, Shorted	3.9	4.9	5.8	Ω
DC Resistance (5-8) With pins 6-7, Shorted	3.8	4.8	5.7	Ω
Hi-Pot Pins (1-4) to (5-8)	1500			V _{RM}

1. Measured at 10 kHz, 100 Vrms, 0 mAdc.
2. Measured at 10 kHz, 100 Vrms, 60 mAdc.

Schematic Diagram



Dimensions in inches (mm)



Suggested Solder Pad Layout

RHOMBUS P/N: T-1150	
CUST P/N:	NAME:
DATE: 04-10-01	SHEET: