

350W PUSH PULL TRANSFORMER

Materials used in construction of this component meet or exceed UL Class B and can be operated up to 130° C

Turns Ratio (± 2%)	1 : 3
----------------------	-------

Operation Frequency : 50kHz

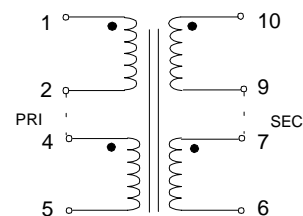
PARAMETER	MIN.	TYP.	MAX.	UNITS
Open Circuit Inductance ¹		310		μH
DC Resistance (1-2) or (4-5)		5.8		mΩ
DC Resistance (10-9) or (7-6)		18.0		mΩ
Isolation (HI-POT) 1-4 to 5-8	2500			V _{RMS}

V_{IN} : 10 to 31.5 Volts

Duty Cycle : 20 to 80%

1. Tested at 100mV_{RMS} & 50 KHz, (Pins 1-5, shorted 2,4)

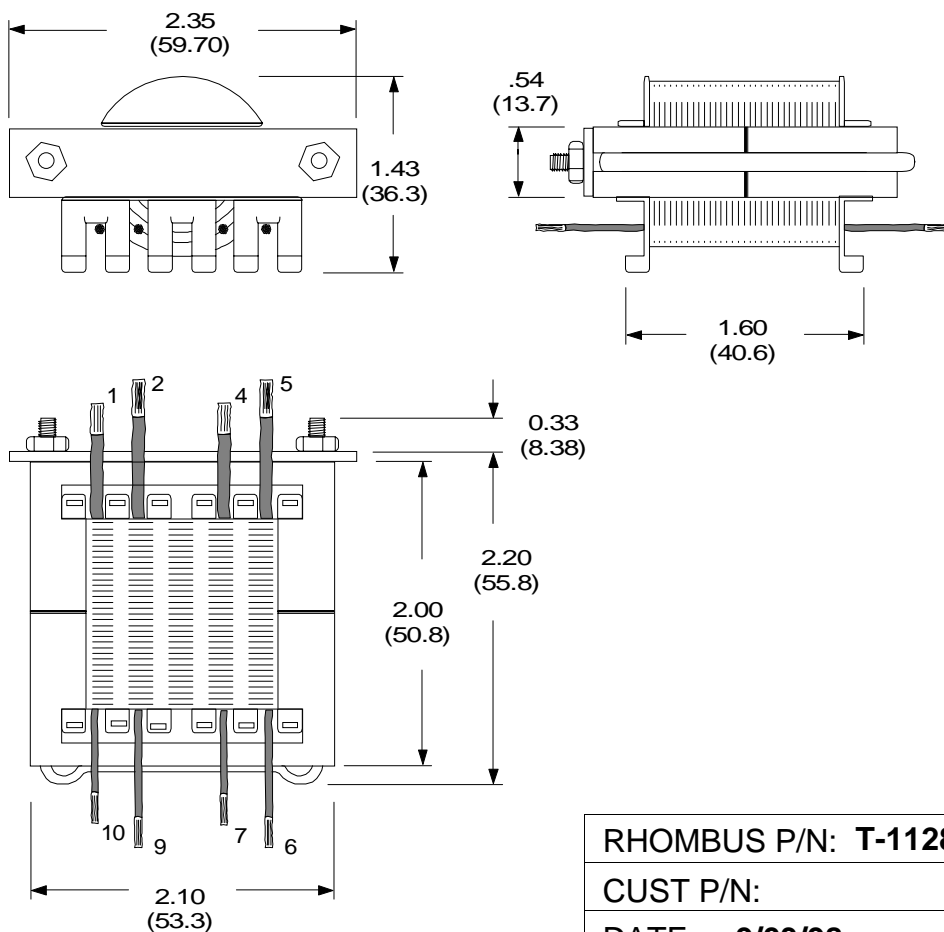
SCHEMATIC DIAGRAM



To create a Center Tap on Primary short pins:
2 & 4

To create a Center Tap on Secondary short pins:
9 & 7

PHYSICAL DIMENSIONS in inches (mm)



RHOMBUS P/N: T-1128	
CUST P/N:	NAME:
DATE: 9/03/98	SHEET: 1 of 1