

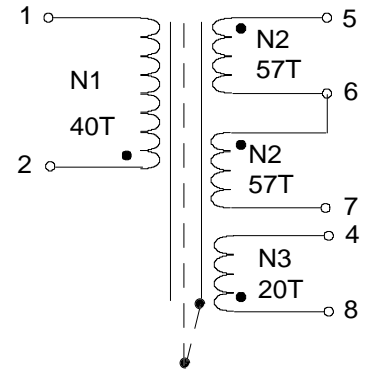
FLYBACK TRANSFORMER

with ELECTRO-MAGNETIC SHIELD

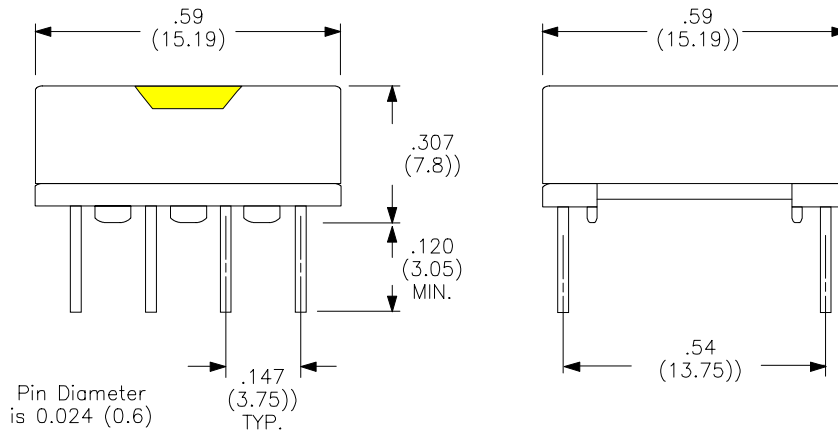
Electrical Specifications at 25°C

Parameter	Min.	Max.	Units
*Primary Inductance (Pins 1-2)	200.7	245.3	μH
*Turns Ratio Pins 1-2:5-7	.347	0.355	
*Turns Ratio Pins 1-2:4-8	1.98	2..02	
*Leakage Inductance (Pins 5-7)		70	μH
DC Resistance (1-2)		0.5	Ω
DC Resistance (5-7)		2	Ω
DC Resistance (4-8)		0.5	Ω
Hi Pot	500		V _{RMS}
*Tested @ 10KHz			

Schematic Diagram

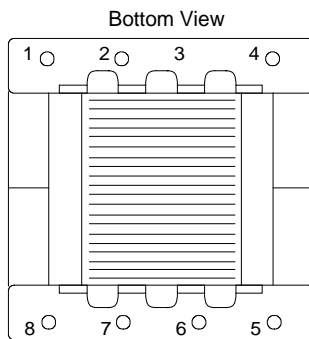


COPPER FOIL SHIELD CONSISTS OF TWO STRIPS OF COPPER FOIL. BOTH STRIPS CRISS CROSS ON TOP OF TRANSFORMER AND ATTACH TO SIDES OF CORE. BOTH STRIPS ARE TERMINATED TO PIN #1.



Physical Dimensions

inches (mm)



Pin #3 Removed to prevent incorrect insertion

RHOMBUS P/N: T-1112	
CUST P/N:	NAME:
DATE: 11/18/97	SHEET: 1 OF 1