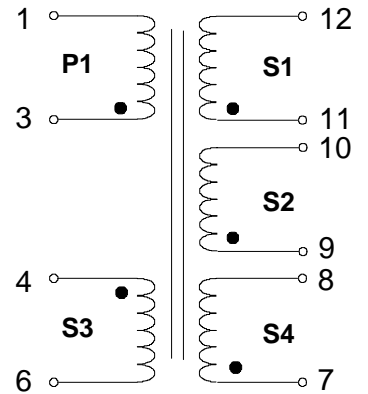


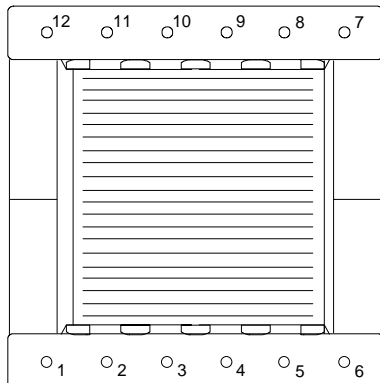
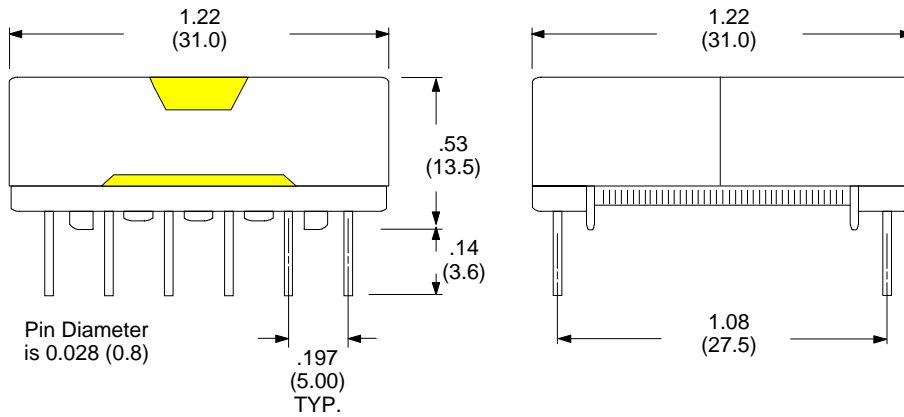
# FLYBACK TRANSFORMER TOP224Y/TOP225Y

PARAMETER	MIN.	TYP.	MAX.	UNITS
Primary Inductance Pins 1-3		1.55		mH
DC Resistance pins 1-3		0.85		$\Omega$
DC Resistance pins 12-11		36.2		m $\Omega$
DC Resistance pins 10-9		65.5		m $\Omega$
DC Resistance pins 4-6		8.6		m $\Omega$
DC Resistance pins 8-7		0.17		$\Omega$
Isolation (P1) to (S1,S2,S3,S4)	1500			V <sub>RMS</sub>



Operating Frequency : 100 KHz

**P1 : 127 - 375V**  
**S1 : 12.6V @1A**  
**S2 : -12.6V @.5A**  
**S3 : +5V @2A**  
**S4 : +12.6V @200 ma**



**RHOMBUS P/N: T-1075**

CUST P/N:

NAME:

DATE: **7/06/98**

SHEET: 1 of 1