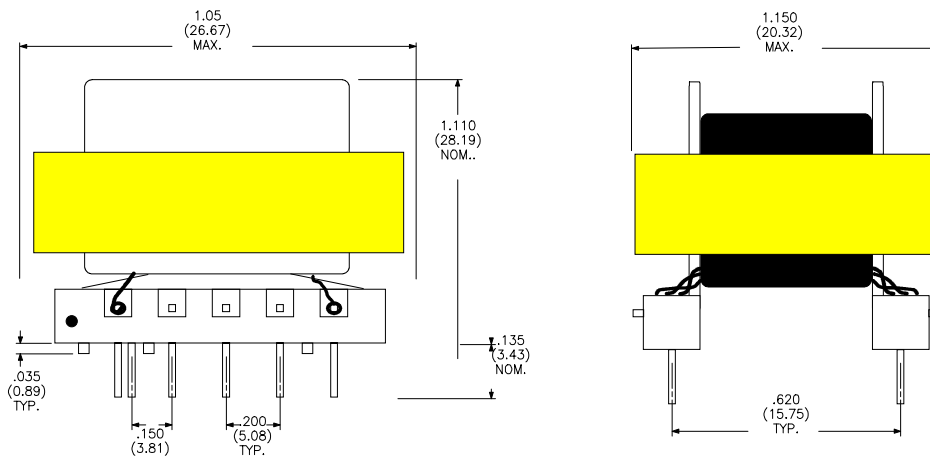


# BASE/GATE DRIVER TRANSFORMER

Turns Ratio 1:1  $\pm$ 3%

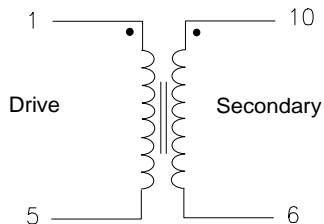
PARAMETER @25°C	MIN.	MAX.	UNITS
Inductance (Drive Winding)	1.5		mHy
Leakage Inductance		4	$\mu$ Hy
DCR Primary		0.4	Ohms
DCR Secondary		0.75	Ohms
Interwinding Capacitance		50	pF
Volt-Time Product	375		V $\mu$ S
Hipot	3750		V <sub>RMS</sub>

**PHYSICAL DIMENSIONS** All dimensions in inches (mm):



Note: 150" Spacing Only  
Between Pins 1 & 2

**SCHEMATIC DIAGRAM:**



**RHOMBUS INDUSTRIES INC.**  
**FSCM NO. 16714**

RHOMBUS P/N: **T-1055**

CUST P/N:

NAME:

DATE: **8/31/96**

SHEET: 1 OF 1