

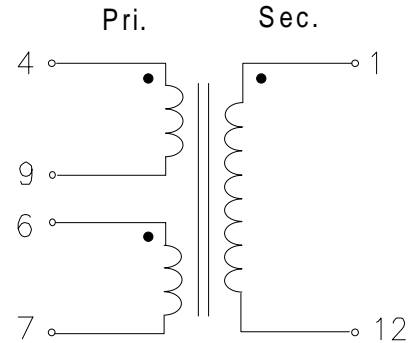
ISDN S Interface Transformer

REINFORCED INSULATION PER EN 41003/EN 60950

Turns Ratio (± 5%)	1CT:2
----------------------	-------

PARAMETER	MIN.	MAX.	UNITS
Open Circuit Inductance	22		mHy
Leakage Inductance		15	μHy
Interwinding Capacitance (C _{W/W})		60	pF
Primary DC Resistance		3.0	ohms
Secondary DC Resistance		5.5	ohms
Isolation (HI-POT)	3.0Kv		V _{RMS}
TEST CONDITIONS: Oscillation Voltage = 700mV Oscillation Frequency = 10.0KHz Inductance measured on Primary winding. Pins 4-7, short 9-6.			

**SCHEMATIC
DIAGRAM**

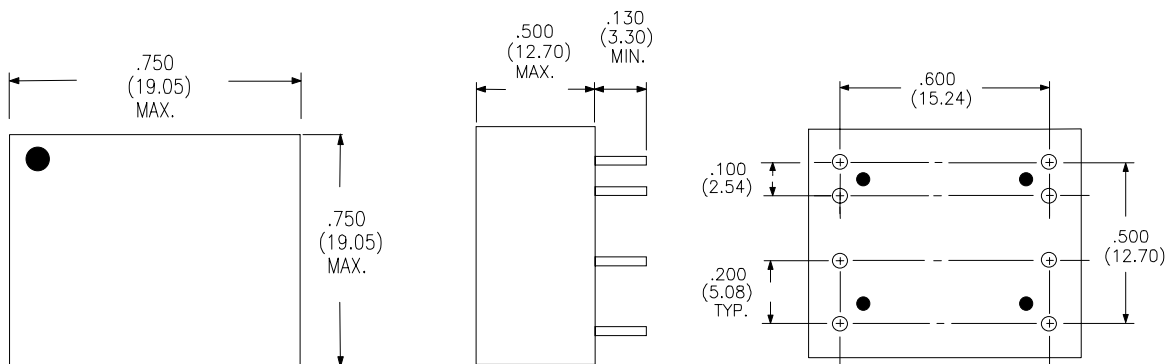


MEETS THE PULSE WAVEFORM
TEMPLATE OF CCITT I.430.

Primary is Line Side

Unbalanced current at TE: Δ I_{dc} = 5 mA max.
Longitudinal Conversion Loss - 10KHz to 300 KHz: 60dB min.

PHYSICAL DIMENSIONS inches (mm)



Leads are #22 AWG Solderable

Unused Pins Omitted

Dot indicates pin #1

RHOMBUS P/N: T-10459	
CUST P/N:	NAME:
DATE: 07/02/96	SHEET: 1 OF 1