

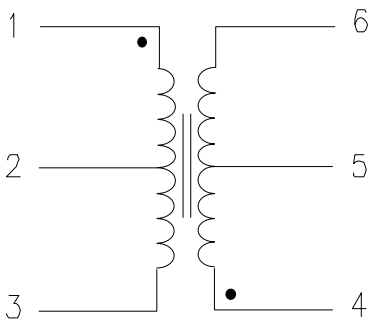
ISDN S Interface Transformer

REINFORCED INSULATION PER EN 41003/EN 60950

Turns Ratio (± 2%)	1CT : 2CT
----------------------	-----------

SCHEMATIC DIAGRAM

PARAMETER	MIN.	MAX.	UNITS
Open Circuit Inductance	22		mHy
Leakage Inductance		11	μHy
Interwinding Capacitance (C _{VW})		100	pF
Distributed Capacitance (C _D)		180	pF
Primary DC Resistance	2.13	2.88	ohms
Secondary DC Resistance	4.25	5.75	ohms
Isolation (HI-POT)	4.0K		V _{RMS}
TEST CONDITIONS: Oscillation Voltage = 700mV Oscillation Frequency = 10.0 KHz Inductance measured on Primary winding. Pins 1 - 3.			



MEETS THE PULSE WAVEFORM
TEMPLATE OF CCITT I.430.

Primary is Line Side

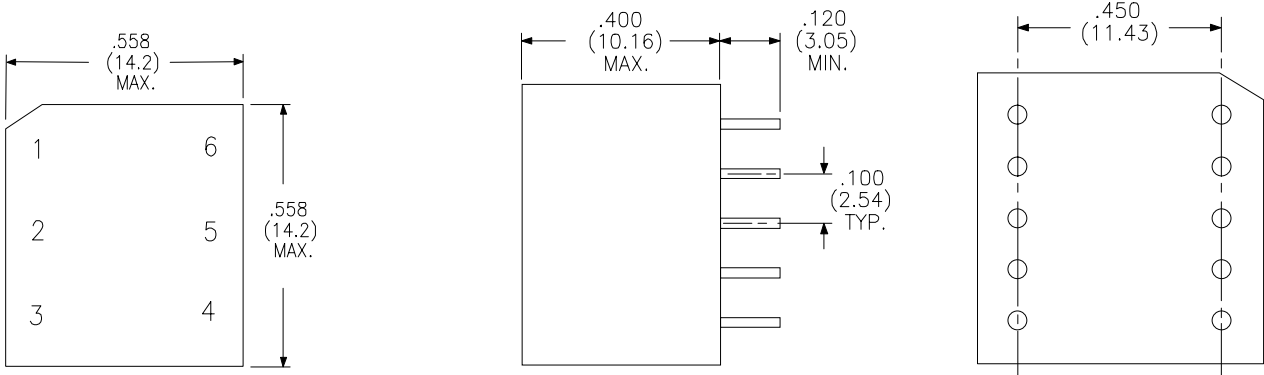
Unbalanced current at TE: Δ I_{dc} = 1 mA max.

Longitudinal Conversion Loss - 10KHz to 300
KHz: 60dB min.

Flammability: Materials used in the
production of these units are UL94-VO
and meet requirements of IEC 695-2-2
needle flame test.

Unused Pins Omitted

PHYSICAL DIMENSIONS inches (mm)



RHOMBUS P/N: T-10455	
CUST P/N:	NAME:
DATE: 12/09/98	SHEET: 1 OF 1