

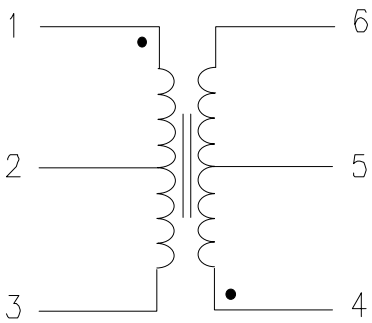
# ISDN S Interface Transformer

## REINFORCED INSULATION PER EN 41003/EN 60950

Turns Ratio ( ± 2% )	1CT : 2CT
----------------------	-----------

### SCHEMATIC DIAGRAM

PARAMETER	MIN.	MAX.	UNITS
Open Circuit Inductance	22		mHy
Leakage Inductance		15	μHy
Interwinding Capacitance ( $C_{w/w}$ )		100	pF
Distributed Capacitance ( $C_d$ )		80	pF
Primary DC Resistance	1.96	2.65	ohms
Secondary DC Resistance	3.40	4.60	ohms
Isolation (HI-POT)	4.0K		$V_{RMS}$
<b>TEST CONDITIONS:</b>			
Oscillation Voltage = 700mV			
Oscillation Frequency = 10.0 KHz			
Inductance measured on Primary winding. Pins 1 - 3.			



MEETS THE PULSE WAVEFORM  
TEMPLATE OF CCITT I.430.

Primary is Line Side

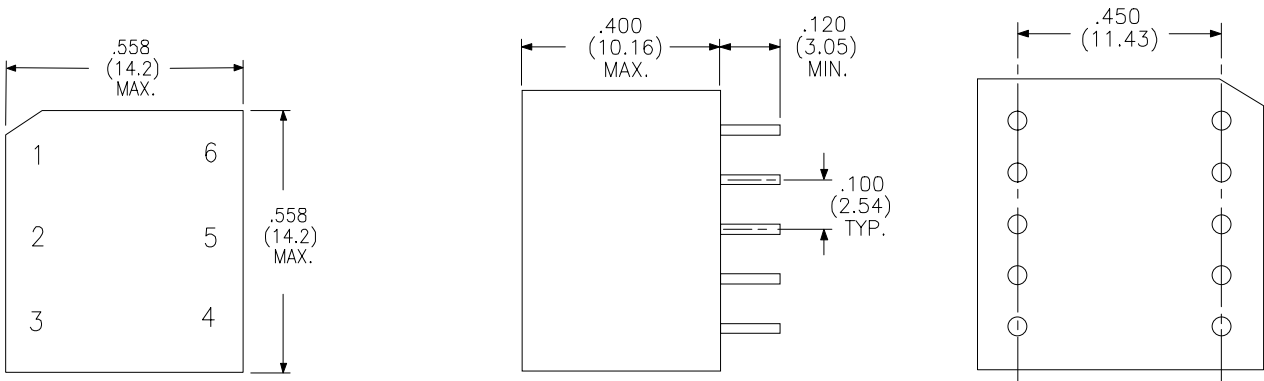
Unbalanced current at TE:  $\Delta I_{dc} = 1 \text{ mA max.}$

Longitudinal Conversion Loss - 10KHz to 300  
KHz: 60dB min.

Flammability: Materials used in the  
production of these units are UL94-VO  
and meet requirements of IEC 695-2-2  
needle flame test.

Unused Pins Omitted

### PHYSICAL DIMENSIONS inches (mm)



<b>RHOMBUS P/N: T-10452</b>	
CUST P/N:	NAME:
DATE: <b>12/09/98</b>	SHEET: 1 OF 1