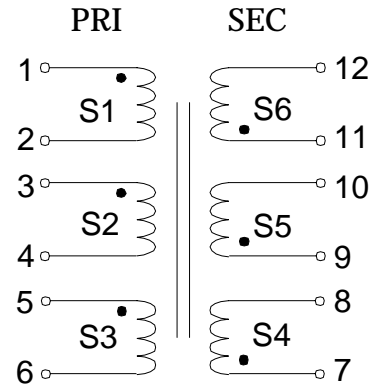


PARAMETER	UNITS
TURNS S1,S2 = 10 turns, AWG 22 (Bifilar) S3 = 4 turns, AWG 28 S4 = 3 turns, AWG 28 S5 = 35 turns, AWG 28 S6 = 35 turns AWG 28	
Isolation (min) S1 to S2	600 V_{RMS}
Isolation (min) S1 & S2 to S3	600 V_{RMS}
Isolation (min) S4 to S5 & S6	600 V_{RMS}
Isolation (min) S5 to S6	1500 V_{RMS}
Isolation (min) S1 & S2 & S3 to S4 & S5 & S6	1500 V_{RMS}

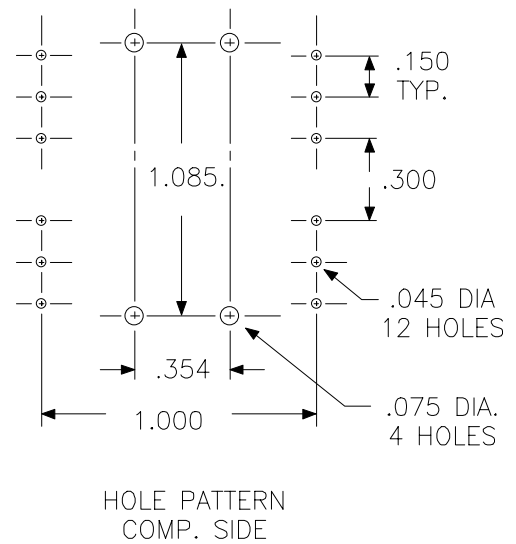
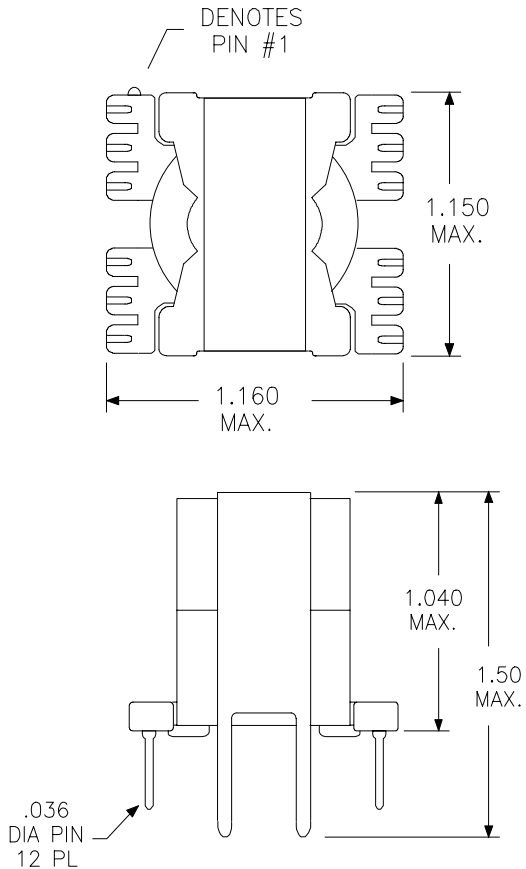
100 WATT FORWARD CONVERTER TRANSFORMER

Schematic Diagram



Manufactured with UL rated materials.
Wire rated at 155° minimum

Physical Dimensions inches (mm)



Rhombus P/N: **T-1038**

Cust. P/N:

Name:

Date: **1/14/96**

Sheet: 1 of 1