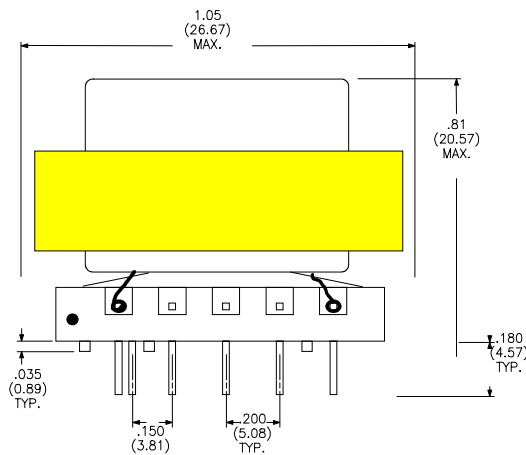


SWITCH MODE TRANSFORMER

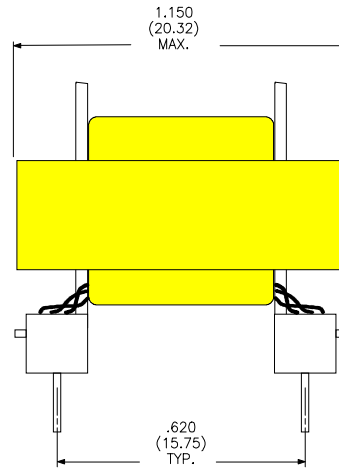
Turns Ratio 1:2CT

PARAMETER @25°C	MIN.	MAX.	UNITS
Inductance	80		μHy
Leakage Inductance		300	μHy
DCR Primary		.68	Ohms
DCR Secondary		.52	Ohms
Interwinding Capacitance		25	Pf
Hipot	1500		VRMS

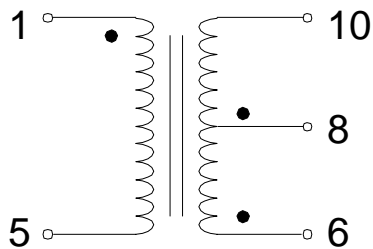
PHYSICAL DIMENSIONS All dimensions in inches (mm):



Note: 150' Spacing Only
Between Pins 1 & 2



SCHEMATIC DIAGRAM:



RHOMBUS P/N: T-1037

CUST P/N:

NAME:

DATE: 8/31/95

SHEET: 1 of 1