

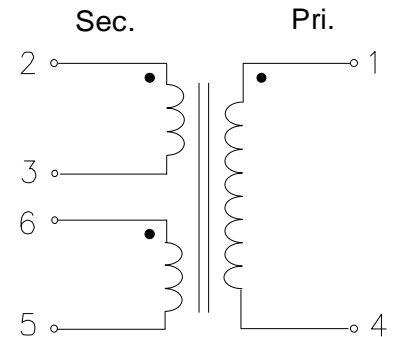
# U Interface Transformer

Turns Ratio ( ± 3 % )

1 : 0.8 : 0.8

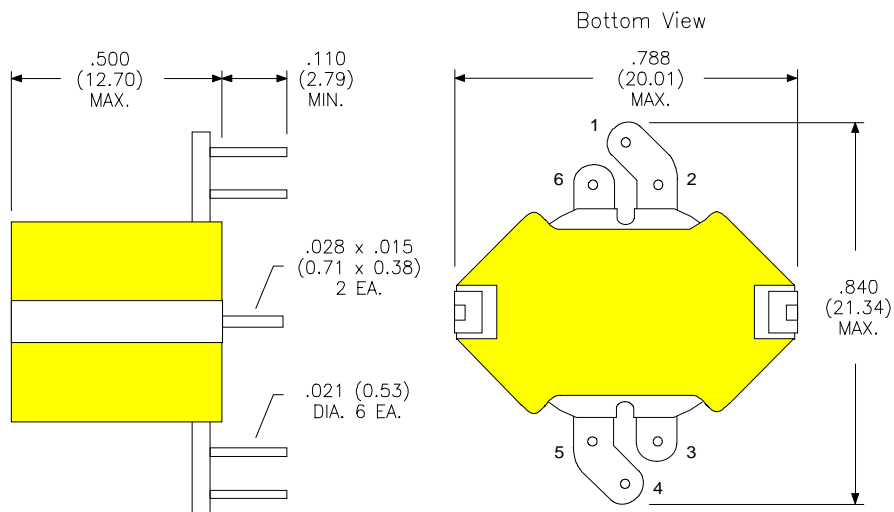
PARAMETER	MIN.	TYP.	MAX.	UNITS
<sup>1</sup> Primary Inductance Pins 1-4.	13.0	14.5	15.95	mH
<sup>1</sup> Leakage Inductance		24		μH
<sup>1</sup> Interwinding Capacitance		134		pF
Primary DC Resistance Pins 1-4		4.1		ohms
Secondary DC Resistance Pins 2-3 or 6-5.		3.5		ohms
Isolation (Hi-Pot)	500			V <sub>RMS</sub>
DC Bias			50	mA

Schematic Diagram



<sup>1</sup>Tested @ 10kHz & 100 mV<sub>RMS</sub>

## Physical Dimensions inches (mm)



RHOMBUS P/N: T-1026

CUST P/N:

NAME:

DATE: 03/09/98

SHEET: 1 of 1