

# T1/CEPT/ISDN PRI INTERFACE TRANSFORMER

UL 1459 Recognized 

Turns Ratio ( ± 5% )	*1:0.633:0.633
----------------------	----------------

PARAMETER	MIN.	MAX.	UNITS
<sup>1</sup> Open Circuit Inductance	1.5		mHy
<sup>1</sup> Primary Leakage Inductance		0.3	μHy
<sup>1</sup> Secondary Leakage Inductance		0.4	μHy
<sup>1</sup> Interwinding Capacitance (C <sub>WW</sub> )		18	pF
Primary DC Resistance		0.7	ohms
Secondary DC Resistance		0.5	ohms
Isolation (HI-POT)	1.5 Kv		V <sub>RMS</sub>
E.T.	16		V-μS

**Temperature Characteristics:**  
 -40° C 900 μH min. (40% drop in inductance)  
 +85° C 1.7 mH min. (15% growth in inductance)  
 Typical part:  
 2.0 mH @ +25° C  
 2.3 mH @ +85° C  
 1.2 mH @ -40° C

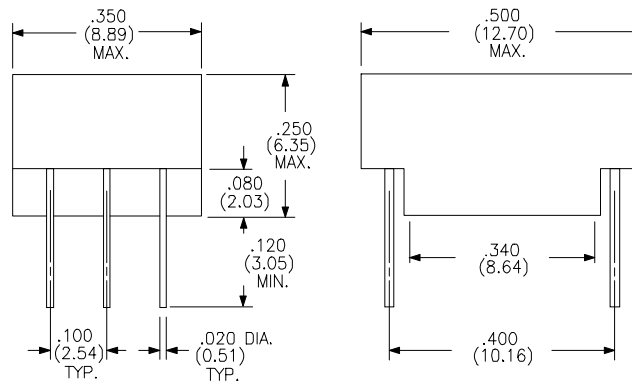
Parts shipped in anti-static tubes. 50 pieces per tube

\*Primary Pins 5-6. A center tap can be formed by shorting pins 1+4 creating a 1:1.26CT Transformer

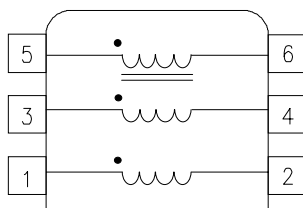
## PHYSICAL DIMENSIONS

All dimensions in inches (mm):

<sup>1</sup> Tested at 772 kHz & 100 mV



## SCHEMATIC DIAGRAM:



**RHOMBUS INDUSTRIES INC.**  
**FSCM NO. 16714**

RHOMBUS P/N: T-10222

CUST P/N:

NAME:

DATE: 11/04/97

SHEET: 1 OF 1