

T1/CEPT PULSE TRANSFORMER

UL 1459 Recognized 

| | |
|----------------------|----------------|
| Turns Ratio (± 5%) | *1:0.575:0.575 |
|----------------------|----------------|

| PARAMETER | MIN. | MAX. | UNITS |
|---|--------|------|------------------|
| ¹ Open Circuit Inductance | 1.5 | | mHy |
| ¹ Primary Leakage Inductance | | 0.8 | μHy |
| ¹ Interwinding Capacitance (C _{W/W}) | | 25 | pF |
| Primary DC Resistance | | 0.7 | ohms |
| Secondary DC Resistance | | 0.5 | ohms |
| Isolation (HI-POT) | 1.5 Kv | | V _{RMS} |
| E.T. | 10 | | V-μS |

Flammability: Materials used in the production of these units meet requirements of UL94-VO and IEC 695-2-2 needle flame test.

Temperature Characteristics:
 -40° C 900 μH min. (40% drop in inductance)
 +85° C 1.7 mH min. (15% growth in inductance)
 Typical part:
 2.0 mH @ +25° C
 2.3 mH @ +85° C
 1.2 mH @ -40° C

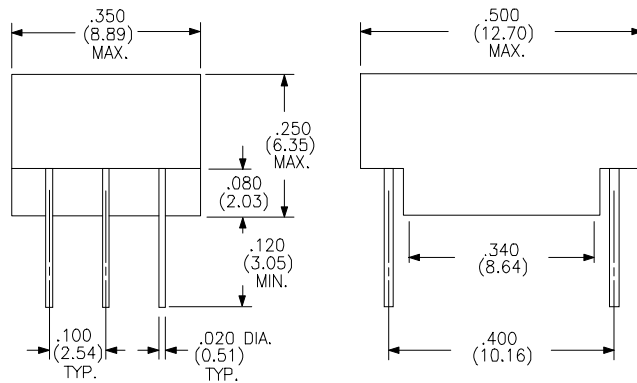
Parts shipped in anti-static tubes. 50 pieces per tube

*Primary Pins 5-6. A center tap can be formed by shorting pins 1+4 creating a 1:1.15CT Transformer

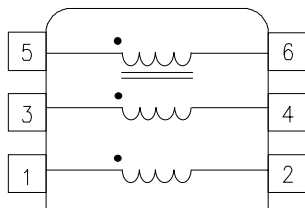
1. Tested at 100 kHz & 20 mV

PHYSICAL DIMENSIONS

All dimensions in inches (mm):



SCHEMATIC DIAGRAM:



RHOMBUS INDUSTRIES INC.

FSCM NO. 16714

RHOMBUS P/N: T-10219

CUST P/N:

NAME:

DATE: 11/04/97

SHEET: 1 OF 1