

T1/CEPT PULSE TRANSFORMER

UL 1459 Recognized 

Turns Ratio ($\pm 5\%$)

1:4CT

Flammability: Materials used in the production of these units meet requirements of UL94-VO and IEC 695-2-2 needle flame test.

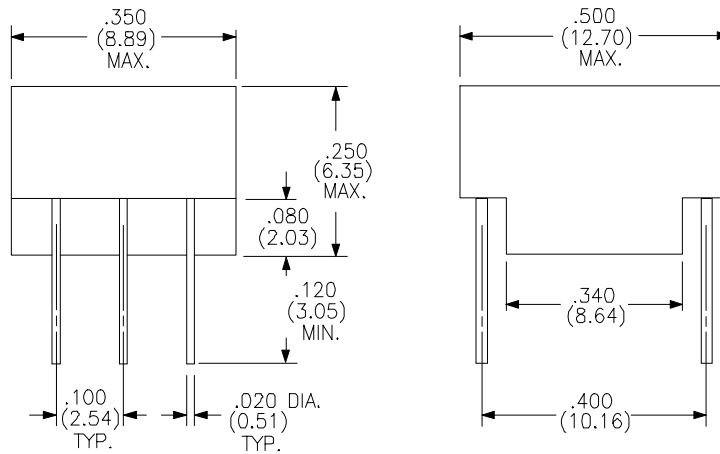
PARAMETER	MIN.	MAX.	UNITS
Open Circuit Inductance	0.5		mHy
Leakage Inductance		1.0	μ Hy
Interwinding Capacitance (C_{WWW})		40	pF
Primary DC Resistance		0.5	ohms
Secondary DC Resistance		1.5	ohms
Isolation (HI-POT)	1.5 Kv		V_{RMS}
TEST CONDITIONS: Oscillation Voltage = 20mV Oscillation Frequency = 100.0 KHz Inductance measured on Primary winding. Pins 1 - 5.			

Temperature Characteristics:
-40° C 300 μ H min. (40% drop in inductance)
+85° C 575 μ H min. (15% growth in inductance)
Typical part:
700 μ H @ +25° C
805 μ H @ +85° C
420 μ H @ -40° C

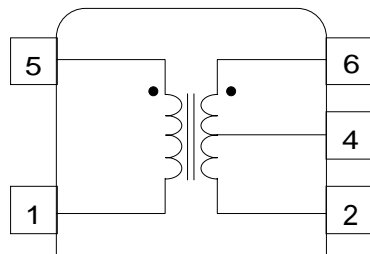
Parts shipped in anti-static tubes. 50 pieces per tube

PHYSICAL DIMENSIONS

All dimensions in inches (mm):



SCHEMATIC DIAGRAM:



RHOMBUS INDUSTRIES INC.
FSCM NO. 16714

RHOMBUS P/N: T-10217

CUST P/N:

NAME:

DATE: 1/24/94

SHEET: 1 OF 1