

T1/CEPT Pulse Transformer

UL 1459 Recognized 

Turns Ratio (± 5%)	1:1.36
----------------------	--------

Flammability: Materials used in the production of these units meet requirements of UL94-VO and IEC 695-2-2 needle flame test.

PARAMETER	MIN.	MAX.	UNITS
Open Circuit Inductance Oscillation Voltage = 20mV Oscillation Frequency = 100.0 KHz	1.2		mHy
Leakage Inductance Oscillation Level = 20mV Oscillation Frequency = 100.0 KHz		0.80	μHy
Interwinding Capacitance (C _{www}) Oscillation Frequency = 100.0 KHz		35	pF
Primary DC Resistance		0.7	ohms
Secondary DC Resistance		0.7	ohms
Isolation (HI-POT)	1.5 Kv		VRMS

Temperature Characteristics:

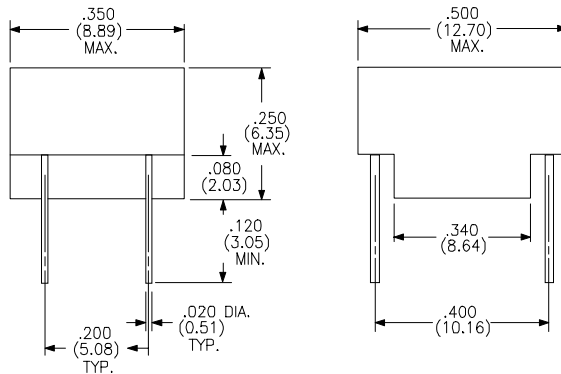
-40° C 700 μH min.
(40% drop in inductance)

+85° C 1.4 mH min.
(15% growth in inductance)

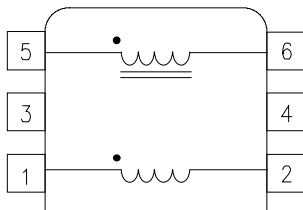
Typical part: 1.7 mH @ +25° C
2.0 mH @ +85° C
1.0 mH @ -40° C

Parts shipped in anti-static tubes. 50 pieces per tube

PHYSICAL DIMENSIONS
All dimensions in inches (mm):



SCHEMATIC DIAGRAM:



Primary Pins 5-6

RHOMBUS INDUSTRIES INC.
FSCM NO. 16714

RHOMBUS P/N: T-10213

CUST P/N:

NAME:

DATE: 4/15/95

SHEET: 1 OF 1