

# T1/CEPT PULSE TRANSFORMER

UL 1459 Recognized 

Turns Ratio ( ± 5% )

1CT:2CT

Flammability: Materials used in the production of these units meet requirements of UL94-VO and IEC 695-2-2 needle flame test.

PARAMETER	MIN.	MAX.	UNITS
Open Circuit Inductance	1.2		mH
Leakage Inductance		0.55	μH
Interwinding Capacitance ( $C_{w/w}$ )		30	pF
Primary DC Resistance		0.7	ohms
Secondary DC Resistance		1.1	ohms
Isolation (HI-POT)	1.5 Kv		V <sub>RMS</sub>
<b>TEST CONDITIONS:</b> Oscillation Voltage = 20mV Oscillation Frequency = 100.0 KHz Inductance measured on Primary winding. Pins 1 - 5.			

### Temperature Characteristics:

-40° C 700 μH min.  
(40% drop in inductance)

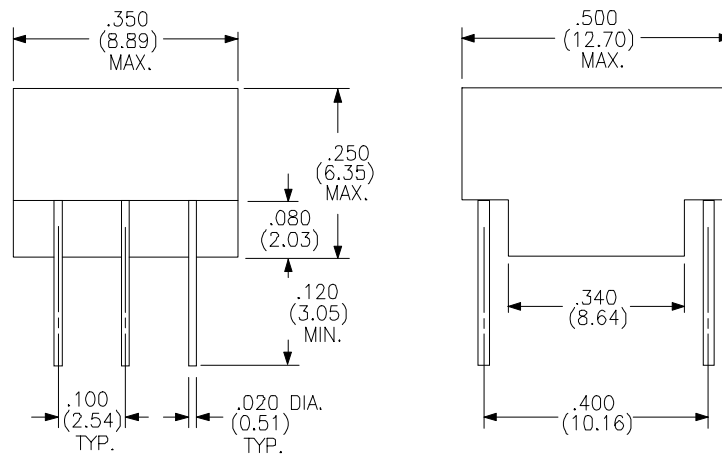
+85° C 1.4 mH min.  
(15% growth in inductance)

Typical part: 1.7 mH @ +25° C  
2.0 mH @ +85° C  
1.0 mH @ -40° C

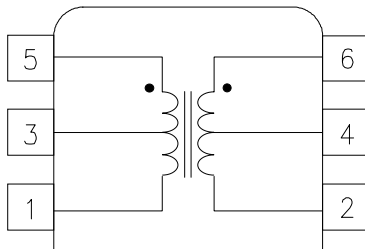
Parts shipped in anti-static tubes. 50 pieces per tube

## PHYSICAL DIMENSIONS

All dimensions in inches (mm)



## SCHEMATIC DIAGRAM



**RHOMBUS INDUSTRIES INC.**  
**FSCM NO. 16714**

RHOMBUS P/N: T-10210

CUST P/N:

NAME:

DATE: 1/24/94

SHEET: 1 OF 1