

T1/CEPT Pulse Transformer

UL 1459 Recognized 

Turns Ratio (± 5%)	1:1
----------------------	-----

PARAMETER	MIN.	MAX.	UNITS
Open Circuit Inductance Oscillation Voltage = 20mV Oscillation Frequency = 100.0 KHz	1.2		mHy
Leakage Inductance Oscillation Level = 20mV Oscillation Frequency = 100.0 KHz		0.50	μHy
Interwinding Capacitance (C _{WW}) Oscillation Frequency = 100.0 KHz		25	pF
Primary DC Resistance		0.7	ohms
Secondary DC Resistance		0.7	ohms
Isolation (HI-POT)	1.5 Kv		V _{RMS}

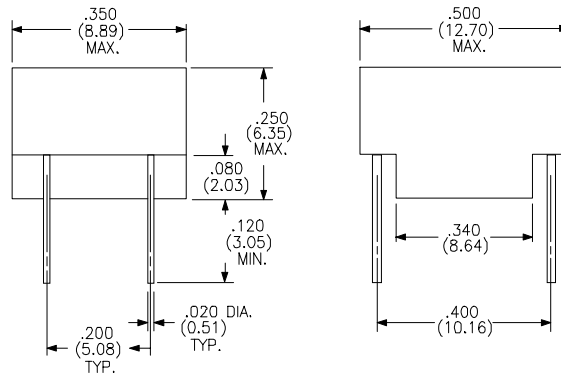
Flammability: Materials used in the production of these units meet requirements of UL94-VO and IEC 695-2-2 needle flame test.

Temperature Characteristics:
 -40° C 700 μH min. (40% drop in inductance)
 +85° C 1.4 mH min. (15% growth in inductance)
 Typical part:
 1.7 mH @ +25° C
 2.0 mH @ +85° C
 1.0 mH @ -40° C

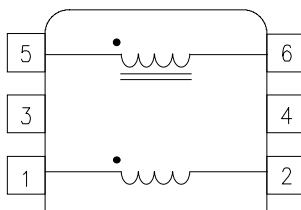
Parts shipped in anti-static tubes. 50 pieces per tube

PHYSICAL DIMENSIONS

All dimensions in inches (mm):



SCHEMATIC DIAGRAM:



Primary Pins 5-6

RHOMBUS INDUSTRIES INC.
FSCM NO. 16714

RHOMBUS P/N: T-10203

CUST P/N:

NAME:

DATE: 4/15/95

SHEET: 1 OF 1