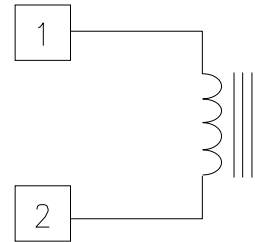


Toroid Inductor

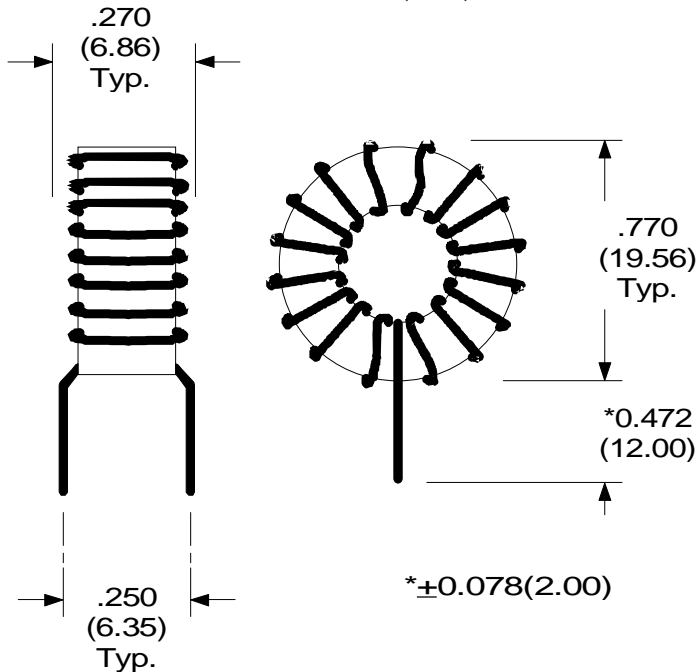
Electrical Specifications at 25°C

Parameter	Min.	Typ.	Max.	Units
Inductance Tested at 20kHz - 100mV	40	47	54	μH
Current			3	A
DCR		32.5	37.2	mΩ
Lead Diameter		.028 (0.711)		inches mm

Schematic



Physical Dimensions inches (mm)



Single layer wound

Leads pre-Tinned

Varnish finish optional by adding suffix "V"
at the end of part number

RHOMBUS P/N: L-696

CUST P/N:

NAME:

DATE: 05/15/01

SHEET: 1 OF 1