

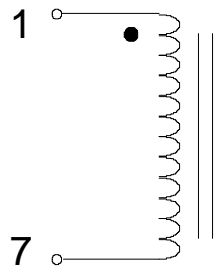
# Inductor

Electrical Specifications at 25°C

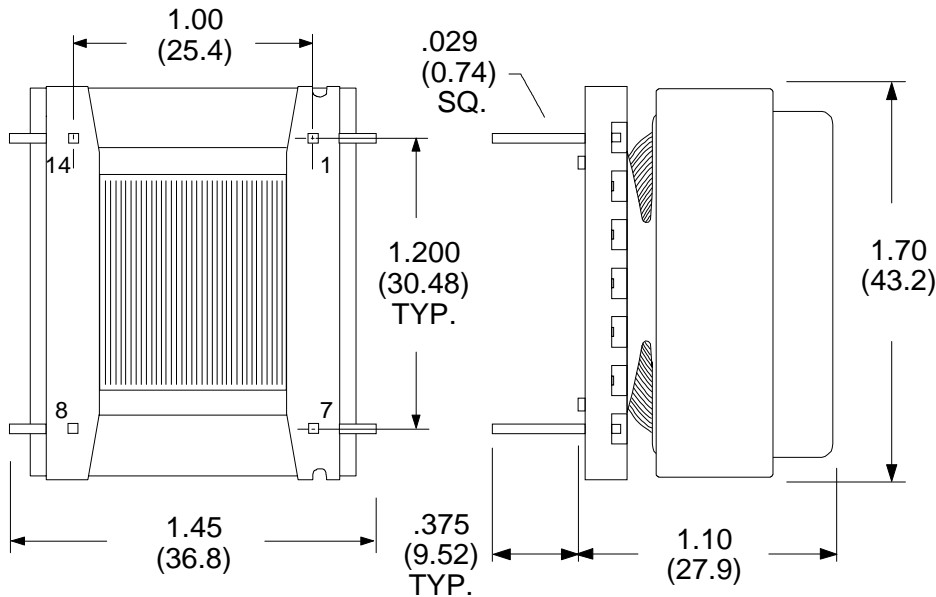
Parameter	Min.	Typ.	Max.	Units
Inductance *	500			mH
DCR		22		$\Omega$
DC BIAS			200	mA

\* Tested at 1 V, 60 Hz & 200mA DC

## Schematic Diagram



## Physical Dimensions inches (mm)



**Flammability:** Materials used in the production of these units are UL94-VO and meet requirements of IEC 695-2-2 needle flame test

Materials used in construction of this component meet or exceed UL Class B and can be operated up to 130° C

RHOMBUS P/N: L-603

CUST P/N:

NAME:

DATE: 7/21/98

SHEET: 1 OF 1