

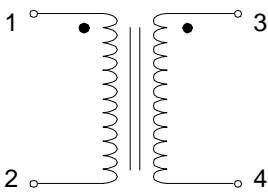
Self-Leaded Thru Hole Common Mode Choke

Electrical Specifications at 25°C. Operating Temp. Range: -30°C to +120°C

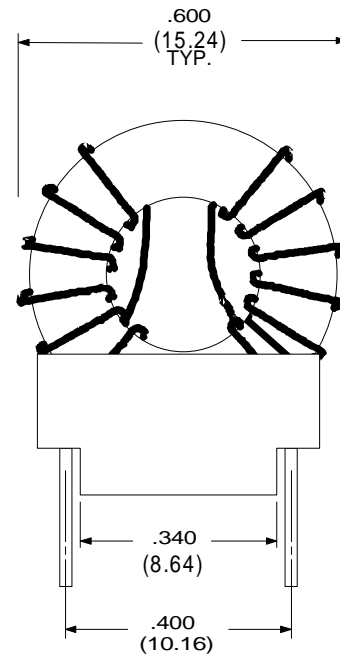
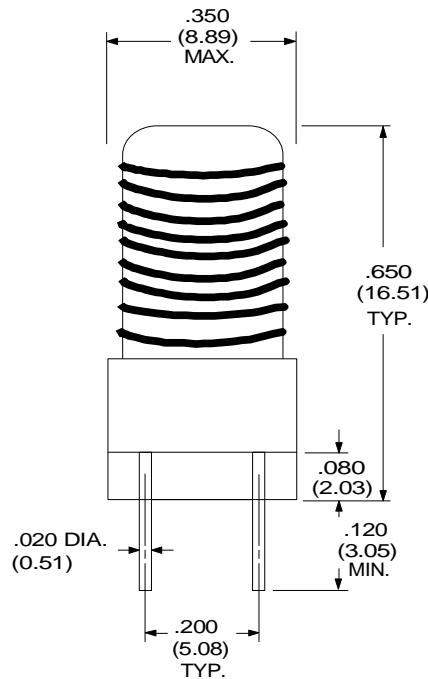
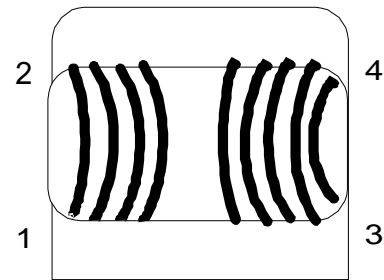
Part Number	Pri. Ind. OCL, Typ. (μH)	DCR Typ. (mΩ)	Rated Current For 55°C Rise (Amps)	Common Mode Attenuation (dB)								
				100M	150M	200M	250M	300M	350M	400M	450M	500M
L-589	1.0	15	3.3	-18	-23	-32	-42	-30	-25	-22	-20	-18

- Custom Design Available
- Designed for DC/DC converters
- Dielectric strength: 500 Vrms

Schematic Diagram



Dimensions in Inches (mm)



RHOMBUS P/N: L-589

CUST P/N:

NAME:

DATE: 6/9/00

SHEET: 1 OF 1