

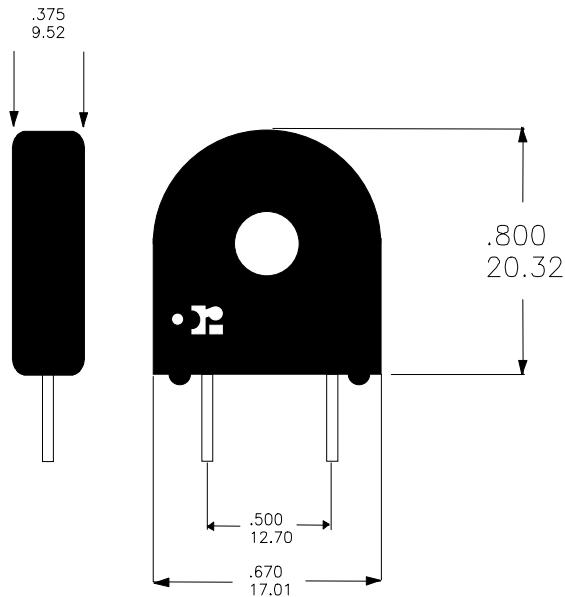
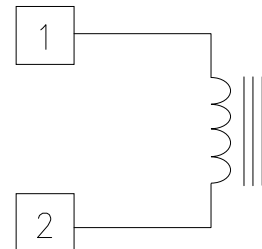
Electrical Specifications at 25°C

Parameter	Min.	Nom.	Max.	Units
Primary Current		10	40	A
Secondary Current		10	40	mA
¹ Inductance		35		mH
DCR		64	83	Ω
Dielectric	4000			V _{RMS}
Turns Ratio	1000:1			
² Volts Per Amp	0.200			V
² Power	20			mW

¹Tested at 100 mV, 1 kHz
²200 Ω Load

CURRENT SENSE INDUCTOR (10 Amps)

SCHEMATIC
DIAGRAM:



PHYSICAL DIMENSIONS
All dimensions in inches (mm):

- 1) Diameter of hole is .170 Min.
- 2) Leads are 20AWG
- 3) Lead length is .370 Min.

RHOMBUS INDUSTRIES INC. FSCM NO. 16714

RHOMBUS P/N: **L-502**

CUST P/N:

NAME:

DATE: **5/21/97**

SHEET: 1 OF 1