

# TOROID INDUCTOR

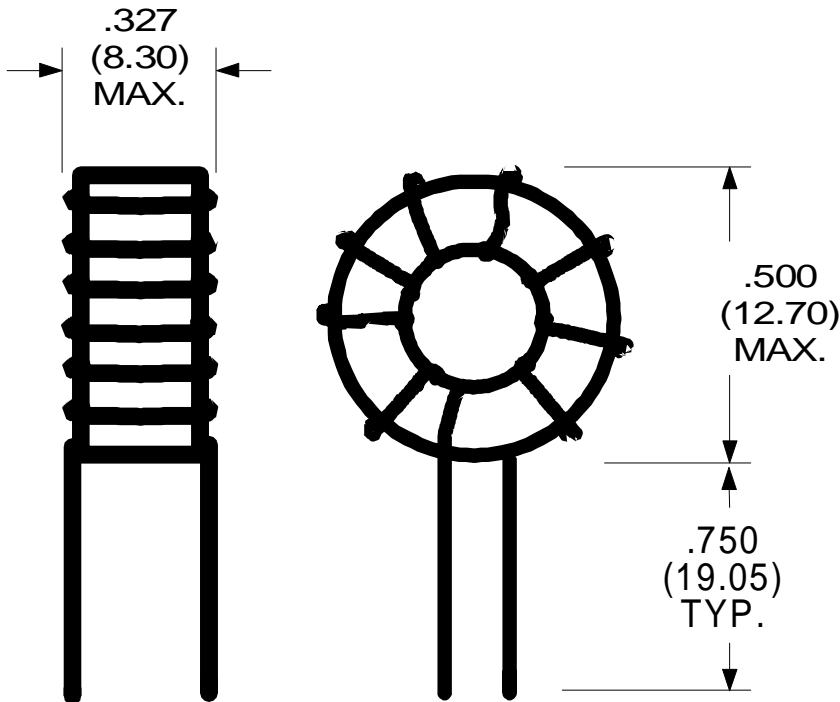
Electrical Specifications at 25°C

Parameter	Min.	Typ.	Max.	Units
Inductance @10 kHz-100mV	2.72	3.1	3.47	μH
<sup>1</sup> Inductance @10 kHz-1V (6.5 Adc) 40°C		2.0		μH
DCR			10	mΩ

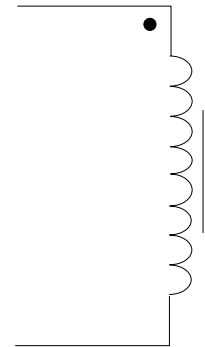
<sup>1</sup>40°C Temperature rise.

Materials used in construction of this component meet or exceed UL Class B and can be operated up to 130° C

## Physical Dimensions inches (mm)



## Schematic Diagram



RHOMBUS P/N: L-466

CUST P/N:

NAME:

DATE: 4/21/99

SHEET: 1 OF 1