

TOROID INDUCTOR

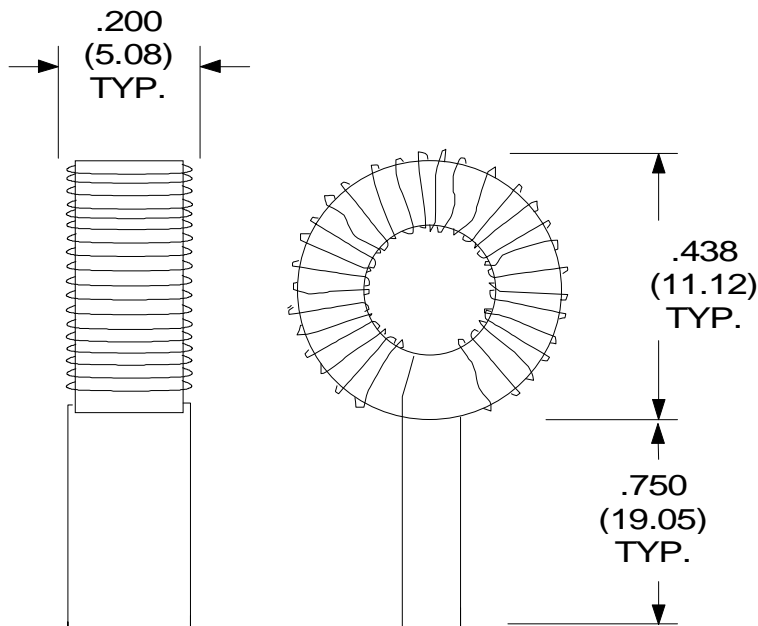
Electrical Specifications at 25°C

Parameter	Min.	Typ.	Max.	Units
Inductance @10 kHz-100mV	153	180	207	μH
DCR			200	mΩ
Rated Current, I _{DC}			400	mADC
Inductance at Rated Current ¹		159		μH

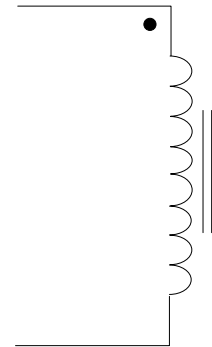
1.. Inductance measured at 10 kHz - 1V

Materials used in construction of this component meet or exceed UL Class B and can be operated up to 130⁰ C

Physical Dimensions inches (mm)



Schematic Diagram



RHOMBUS P/N: L-465

CUST P/N:

NAME:

DATE: 4/21/99

SHEET: 1 OF 1