

FILTER CHOKE

Electrical Specifications at 25°C

Parameter	Min.	Typ.	Max.	Units
¹ Inductance @60 Hz & 1 V	11			mH
DCR		0.75		Ω
Rated Current, I _{DC}			1	A
² Insulation	1000			V _{RMS}
Operating Frequency		60		Hz

¹ Inductance measured at full rated current

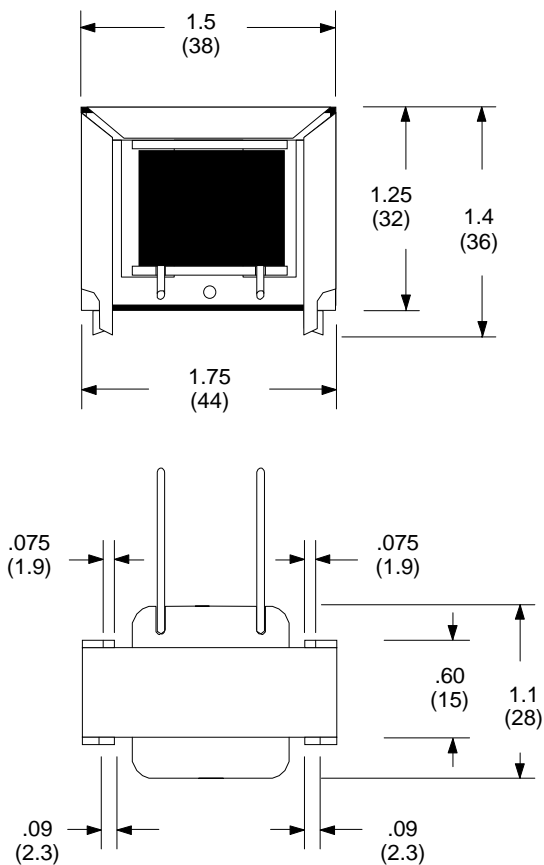
² Winding to core.

High Current 60 Hz Smoothing Choke

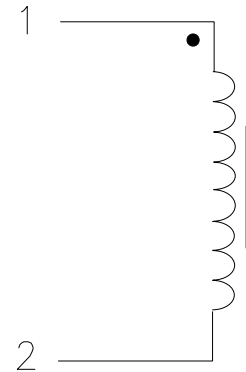
Designed for Low Voltage/
High Current D.C. Power
Supply filtering applications

Materials used in construction
of this component meet or
exceed UL Class B and can be
operated up to 130° C

Physical Dimensions inches (mm)



Schematic Diagram



RHOMBUS P/N: L-403

CUST P/N:

NAME:

DATE: 9/30/97

SHEET: 1 OF 1