

# Air Coil

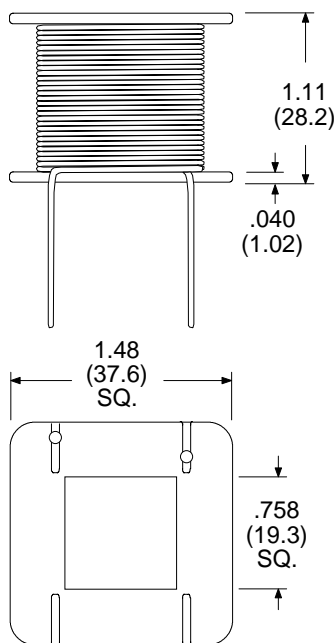
Parameter	Min.	Typ.	Max.	Units
Inductance *		1.0		mH
DCR		1.43		$\Omega$
Current		0.75		A <sub>RMS</sub>

\* Inductance tested at 52Khz

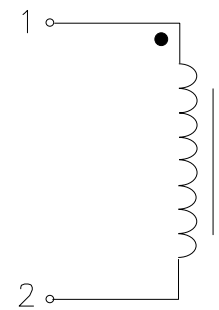
All Finished Units are varnished.

Materials used in construction of this component meet or exceed UL Class B and can be operated up to 130°C.

## Physical Dimensions inches (mm)



Leads are #23 AWG.  
Leads Length is 4".  
Leads Stripped to within 1/2 of the body.



Schematic  
Diagram

RHOMBUS P/N: **L-398**

CUST P/N:

NAME:

DATE: **2/19/98**

SHEET: 1 OF 1