

# Air Coil

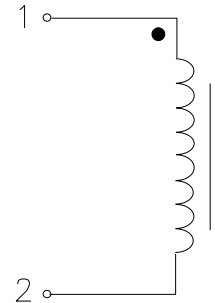
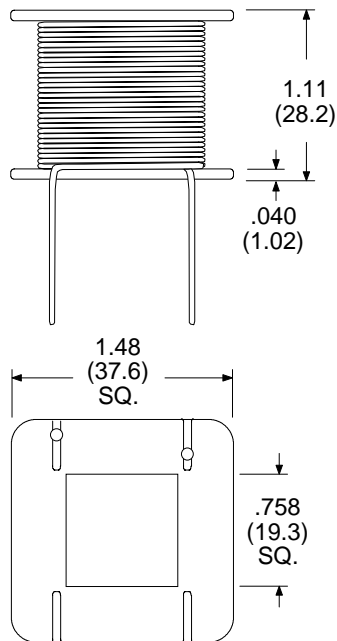
All Finished Units are varnished.

Parameter	Min.	Typ.	Max.	Units
Inductance *		470		$\mu\text{H}$
DCR		500		$\text{m}\Omega$
Current		1.5		$A_{\text{RMS}}$

Materials used in construction of this component meet or exceed UL Class B and can be operated up to 130°C.

\* Inductance tested at 52Khz

## Physical Dimensions inches (mm)



Schematic  
Diagram

Leads are #20 AWG.  
Leads Length is 4".  
Leads Stripped to within 1/2 of  
the body.

RHOMBUS P/N: **L-397**

CUST P/N:

NAME:

DATE: **2/19/98**

SHEET: 1 OF 1