

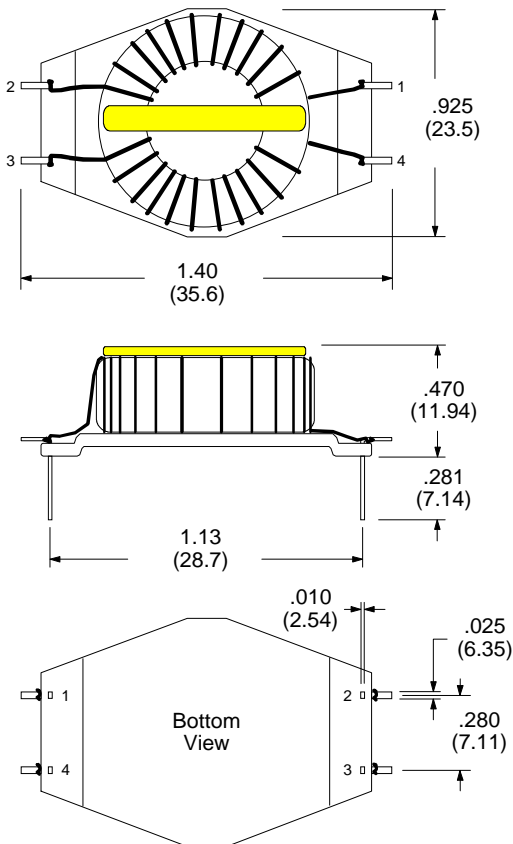
Common Mode Inductor

Designed for Switching Power Supply Applications.
Especially useful in the 100 kHz to 300kHz Range.

Parameter	Min.	Max.	Units
Inductance *	0.9		mH
DCR		0.1	Ω
Current		2	A _{RMS}
Leakage Inductance *		50	μ H
SRF 1.5 nominal			MHz

*Inductance tested at 100mV_{RMS} and 100 kHz

Physical Dimensions inches (mm)



Single Layer Windings with Spacers specially designed by Rhombus Industries to provide 3mm Creepage and Clearance for International Safety Compliance.

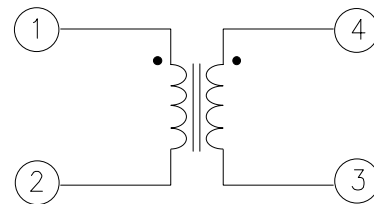
Rated Voltage 250 VAC
Hipot (Isolation) 2500 VAC
Insulation Resistance 100M Ω
Temperature Rise 60°C Max.

Operating Temperature Range -25°C to +85°C

Materials used in construction of this component meet or exceed UL Class B (130°C)

Flammability: Toroid Mount and Creepage Spacer used in the production of these units meet requirements of UL94-VO and IEC 695-2-2 needle flame test.

Schematic Diagram



RHOMBUS P/N: **L-394**

CUST P/N:

NAME:

DATE: **10/17/97**

SHEET: 1 OF 1