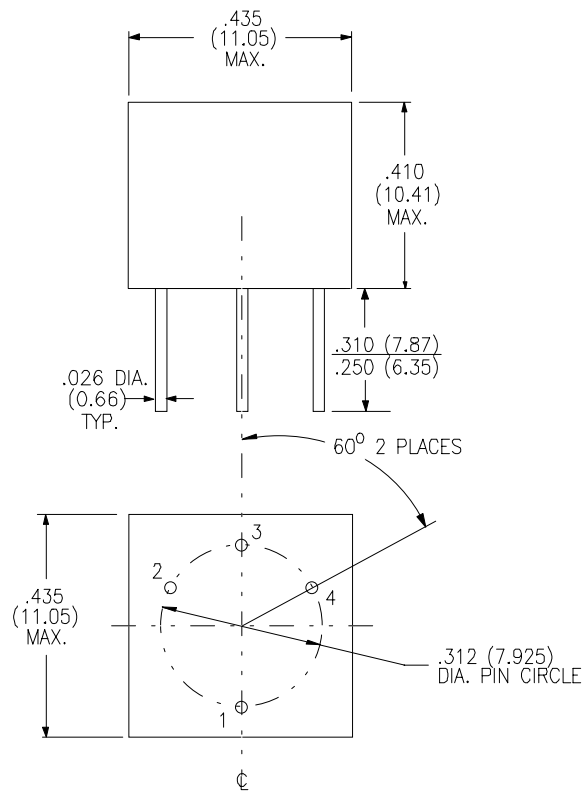


PARAMETER		UNITS
Inductance (Minimum) @300 Hz & 3V	1.25 Min.	H
DCI (Maximum)	2	mA
Q @ 1 KHz & 1V	3.5	
DCR (Typical)	180	Ω

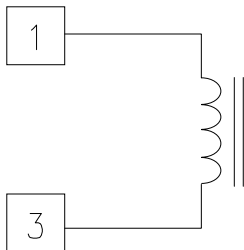
L-391

Miniature Encapsulated Inductor

PHYSICAL DIMENSIONS All dimensions in inches (mm):



SCHEMATIC DIAGRAM



RHOMBUS P/N: **L-391**

CUST P/N:

NAME:

DATE: 07/02/98

SHEET: 1 OF 1