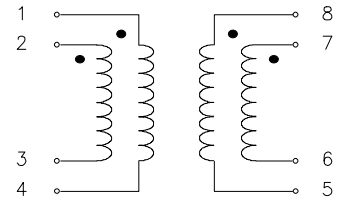


Surface Mount Common Mode Choke

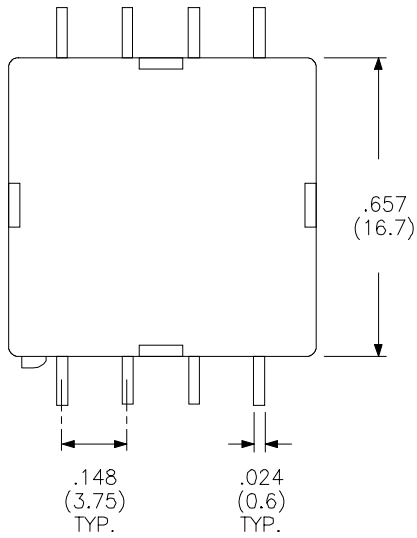
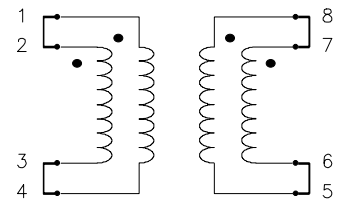
- 25 μ H Inductance Min.
- 2 Amp DC
- 2500 V_{RMS} Min.
- D.C.R 12 m Ω
- S.R.F. 8.3 MHz

(Parallel Connection)

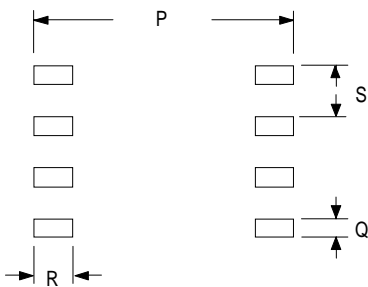
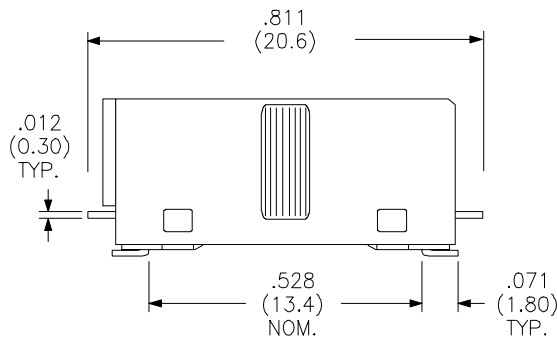
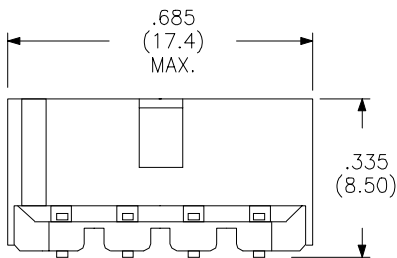
Schematic Diagram



In-Circuit Connections
Short 1-2, 3-4, 5-6 & 7-8



Physical Dimensions
inches (mm)



Suggested Pad Layout

- P: 0.567 (14.4)
- Q: 0.051 (1.3)
- R: 0.110 (2.8)
- S: 0.148 (3.75)

RHOMBUS P/N: L-37204	
CUST P/N:	NAME:
DATE: 3/11/97	SHEET: 1 OF 1