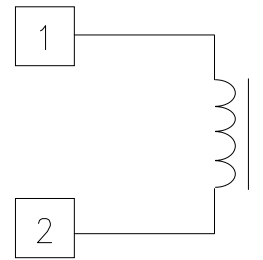


Low Power Inductors

Designed for General Purpose Applications such as Low Power Ripple Filters or where Inductance Stability with variation in load currents is required.

Horizontal and Vertical Packages Available

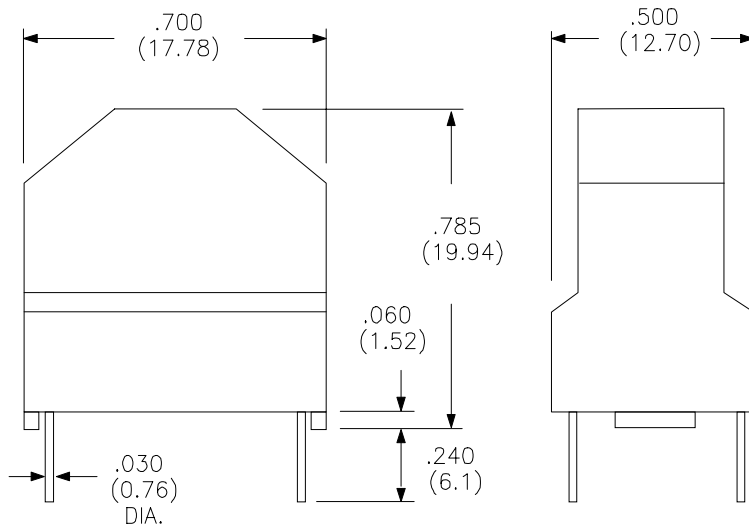
Schematic



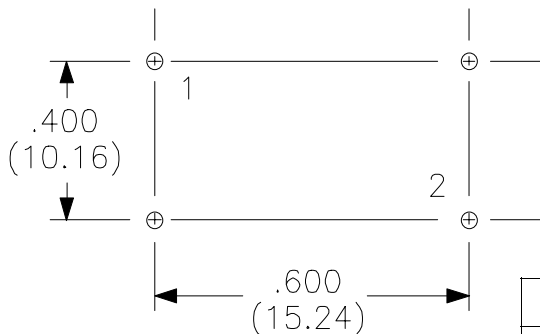
Electrical Specifications at 25°C

Part Number	L Typ. μH	I * DC Amps	ET Typ. VμS	DCR Max. Ω	Energy Typ. μJ	Test Volts 1 kHz (No DC) mV
L-365	220	1.50	90	0.38	240	70

* Rated for 40°C Temp. Rise



Physical Dimensions
inches (mm)



FOOTPRINT

RHOMBUS P/N: L-365	
CUST P/N:	NAME:
DATE: 07/02/98	SHEET: 1 OF 1