

# HIGH CURRENT FILTER INDUCTOR

Electrical Specifications at 25°C

| Parameter     | Min. | Typ.           | Max. | Units          |
|---------------|------|----------------|------|----------------|
| Inductance    | 225  | 250            | 275  | μH             |
| $I_{MAX}^1$   |      |                | 5.0  | A              |
| DCR           |      | 90             |      | mΩ             |
| Lead Diameter |      | .040<br>(1.01) |      | inches<br>(mm) |

## Applications

Noise filtering for switching regulators, power amplifiers, power supplies and SCR or Triac control circuits

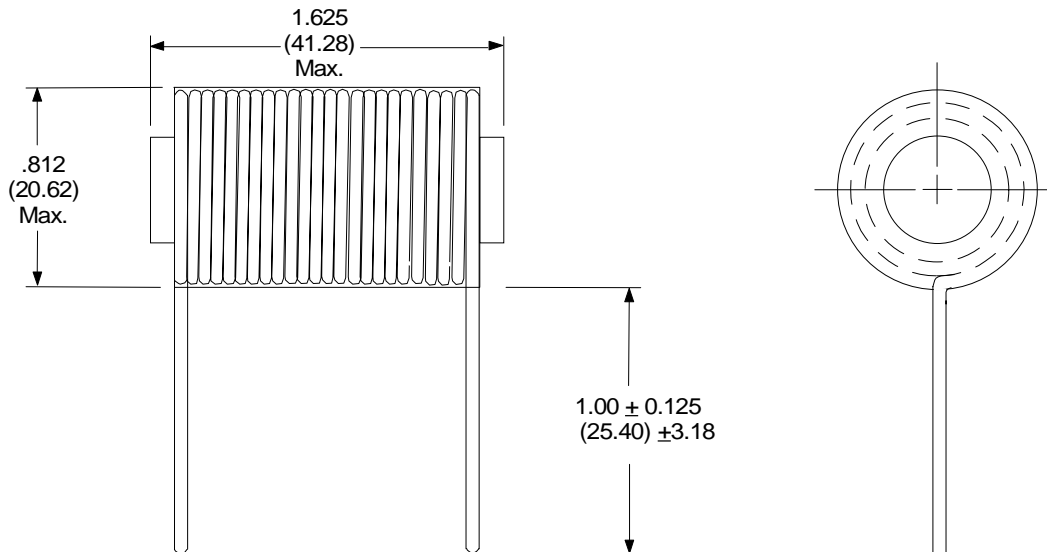
Operating temperature Range  
-45°C to +85°C

### Test Conditions:

Inductance tested at 100 mV<sub>RMS</sub> and 1 kHz

1. Current for 10% drop in Inductance

Dimensions in inches (mm)



Leads are .042 (#18 AWG)

Leads tinned to within 1/8" of body.

RHOMBUS P/N: L-20806

CUST P/N:

NAME:

DATE: 1/21/99

SHEET: