

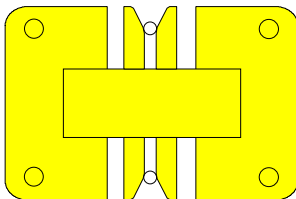
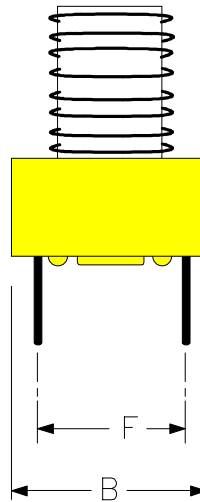
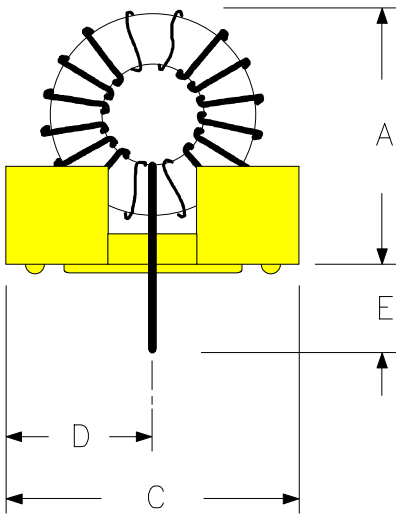
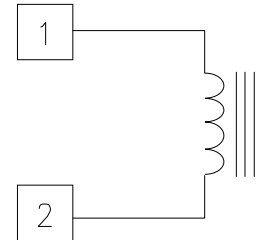
SMPS Inductor - Toroid Mount Package

Electrical Specifications at 25°C

Parameter	Min.	Typ.	Max.	Units
Inductance (No DC)		19		μH
Rated Current		4.5		Amps DC
DCR		0.02		Ω
E.T ⁽¹⁾			32	$\text{V}\mu\text{Sec}$

1) E.T rated at 100 kHz.

Schematic Diagram



Physical Dimensions
inches (mm)

	Min.	Typ.	Max.
A		.95 (24.1)	
B	.440 (11.18)		.460 (11.68)
C	.820 (20.83)		.840 (21.34)
D		.625 (15.88)	
E	.110 (2.79)		
F		.500 (12.170)	

RHOMBUS P/N: L-20588

CUST P/N:

NAME:

DATE: 11/29/99

SHEET: 1 OF 1