

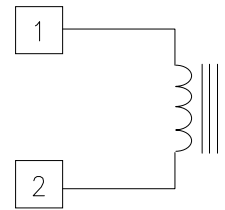
SMPS Inductor

Iron Powder Material (Hydrogen Reduced)

Well Suited for Switch Mode Power Supplies and Regulator Applications.

Wire UL rated Class B (130° C) or better

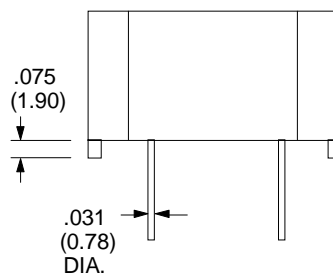
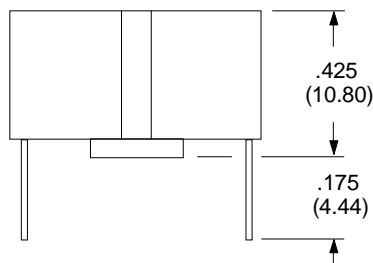
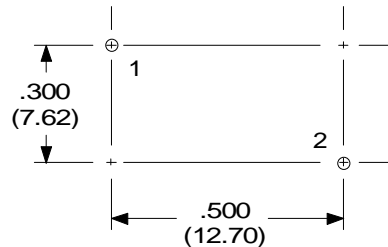
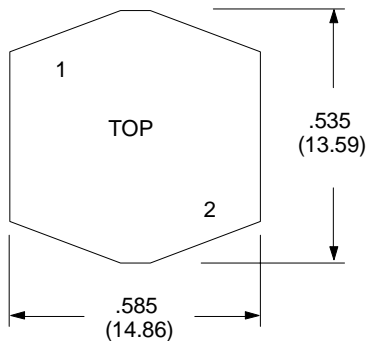
Schematic Diagram



Electrical Specifications at 25°C

Part Number	L ⁽¹⁾ (μH) Typ.	ET _{OP} ⁽²⁾ (VμS) Max.	I max. Amps	DCR Nom. (Ω)
L-20573	77	33	1.54	0.2

- 1) Typical Inductance in circuit.
Inductance (No DC) 77μH ±20%
- 2) Operational ET rated at 150 kHz.
- 3) Operating Temperature -30° To +130° C



Physical Dimensions
inches (mm)

RHOMBUS P/N: L-20573

CUST P/N:

NAME:

DATE: 2/14/97

SHEET: 1 OF 1