

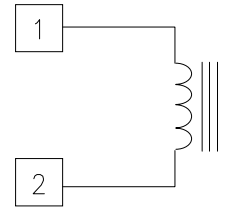
# SMPS Inductor

Iron Powder Material (Hydrogen Reduced)

Well Suited for Switch Mode Power Supplies and Regulator Applications.

Wire UL rated Class B (130° C) or better

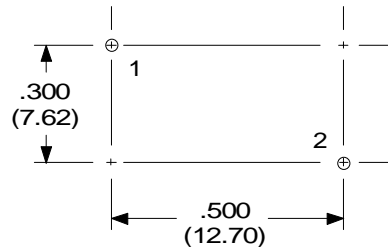
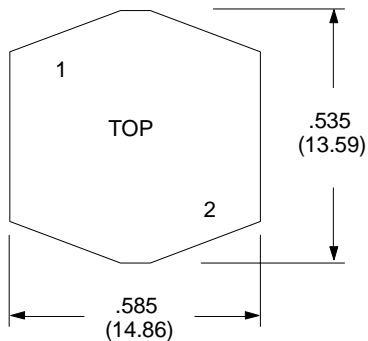
Schematic Diagram



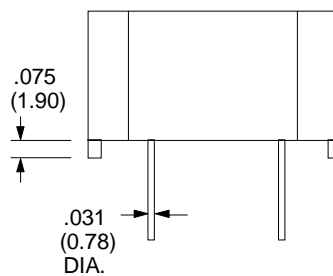
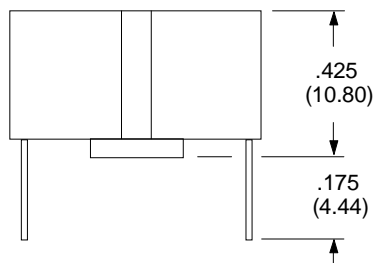
Electrical Specifications at 25°C

Part Number	L <sup>(1)</sup> ( $\mu$ H) Typ.	ET <sub>OP</sub> <sup>(2)</sup> (V $\mu$ S) Max.	I max. Amps	DCR Nom. ( $\Omega$ )
L-20569	377	75.9	0.68	1.0

- 1) Typical Inductance in circuit.  
Inductance 168 $\mu$ H $\pm$ 20%
- 2) Operational ET rated at 150 kHz.
- 3) Operating Temperature -30° To +130° C



Physical Dimensions  
inches (mm)



RHOMBUS P/N: L-20569

CUST P/N:

NAME:

DATE: 04/02/01

SHEET: 1 OF 1