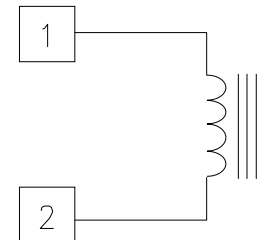


50 KHz SMPS Inductor - Toroid Mount Package

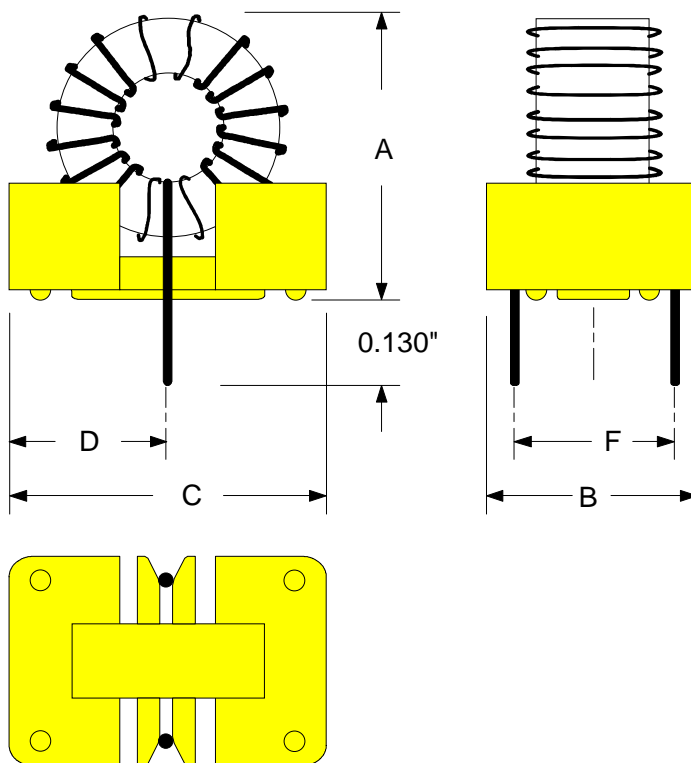
Electrical Specifications at 25°C

Parameter	Min.	Typ.	Max.	Units
Inductance (No DC) tested at 10mV _{RMS} @ 20 kHz (0 ADC)	233.6		350.4	μH
Inductance with DC ⁽¹⁾		330		μH
DCR			0.15	Ω
Energy Storage		1485		μJ
Lead Diameter		.025		inches

Schematic Diagram



1) Typical value for Operating E-T Product of 200 V-μs and IDC = 3 Amps.



Physical Dimensions
inches (mm)

	Min.	Typ.	Max.
A			1.40 (35.56)
B		.700 (17.73)	
C		1.30 (33.02)	
D		.625 (15.88)	
F		.500 (12.7)	

RHOMBUS P/N: L-20512

CUST P/N:

NAME:

DATE: 7/29/96

SHEET: 1 OF 1