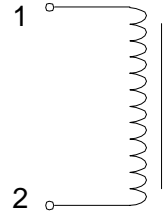


50 KHz SMPS Inductor - Toroid Mount Package

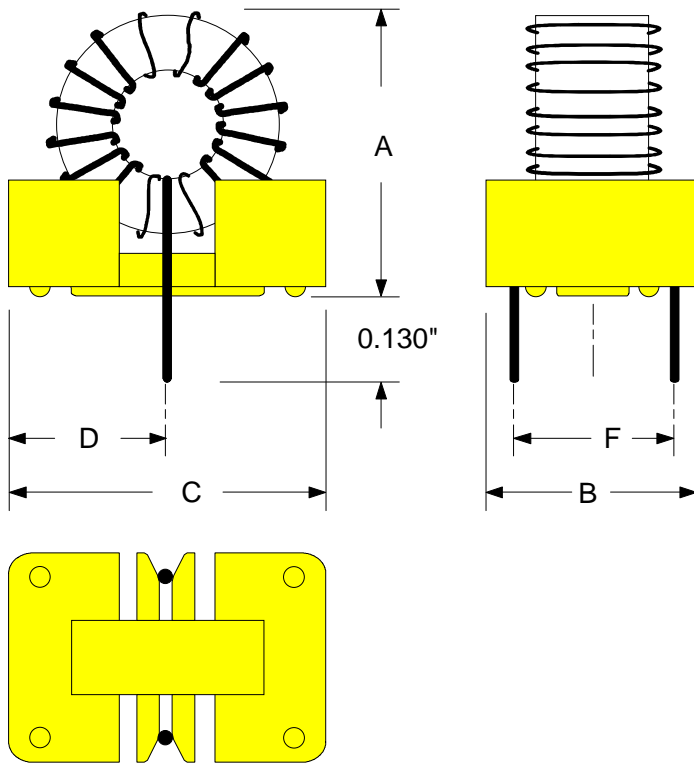
Electrical Specifications at 25°C

Parameter	Min.	Typ.	Max.	Units
Inductance (No DC) tested at 10mV _{RMS} @ 20 kHz (0 ADC)	133.6		200.4	μH
Inductance with DC ⁽¹⁾		220		μH
DCR			0.07	Ω
Energy Storage		990		μJ
Lead Diameter		.032		inches

Schematic
Diagram



1) Typical value for Operating E-T Product of 200 V-μs and IDC = 3 Amps.



Physical Dimensions
inches (mm)

	Min.	Typ.	Max.
A		1.25 (31.75)	
B	.690 (17.53)		.710 (18.03)
C	1.240 (31.5)		1.260 (32.0)
D		.625 (15.88)	
F		.500 (12.70)	

RHOMBUS P/N: L-20511

CUST P/N:

NAME:

DATE: 09/09/99

SHEET: 1 OF 1