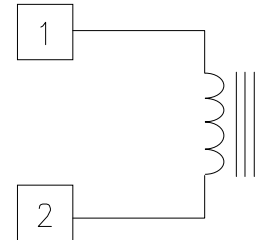


# 50 KHz SMPS Inductor - Toroid Mount Package

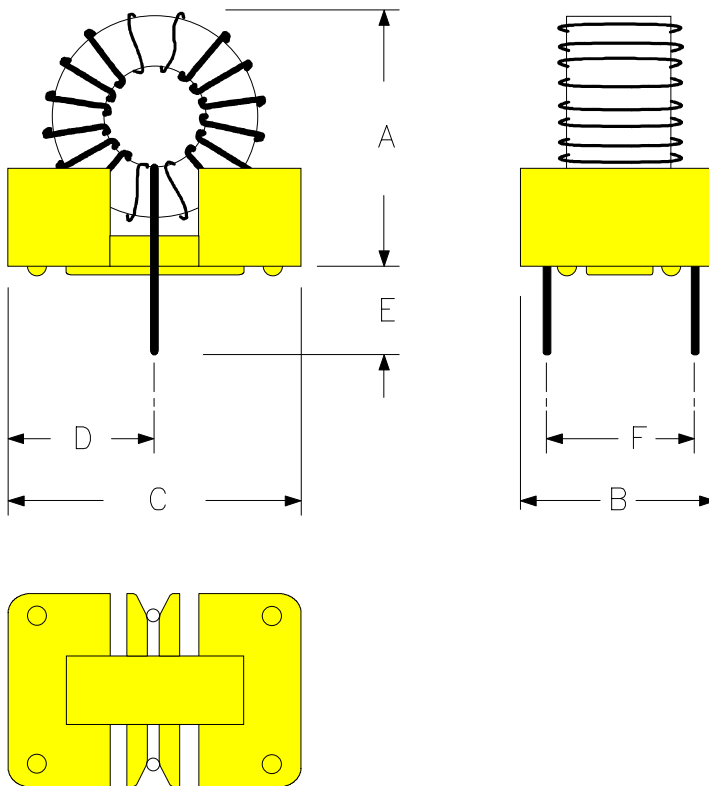
Electrical Specifications at 25°C

Parameter	Min.	Typ.	Max.	Units
Inductance (No DC) tested at 10mV <sub>RMS</sub> @ 20 kHz (0 ADC)	140.8		211.2	μH
Inductance with DC <sup>(1)</sup>		220		μH
DCR			0.14	Ω
Energy Storage	215.6			μJ
Lead Diameter		.020		inches

Schematic Diagram



1) Typical value for Operating E-T Product of 90 V-μs and IDC = 1.4 Amps.



Physical Dimensions  
inches (mm)

	Min.	Typ.	Max.
A			.95 (24.13)
B	.440 (11.18)		.460 (11.68)
C	.820 (20.83)		.840 (21.34)
D		.415 (10.54)	
E	.110 (2.79)		
F		.300 (3.81)	

RHOMBUS P/N: L-20505

CUST P/N:

NAME:

DATE: 11/30/00

SHEET: 1 OF 1