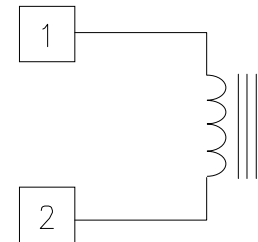


50 KHz SMPS Inductor - Toroid Mount Package

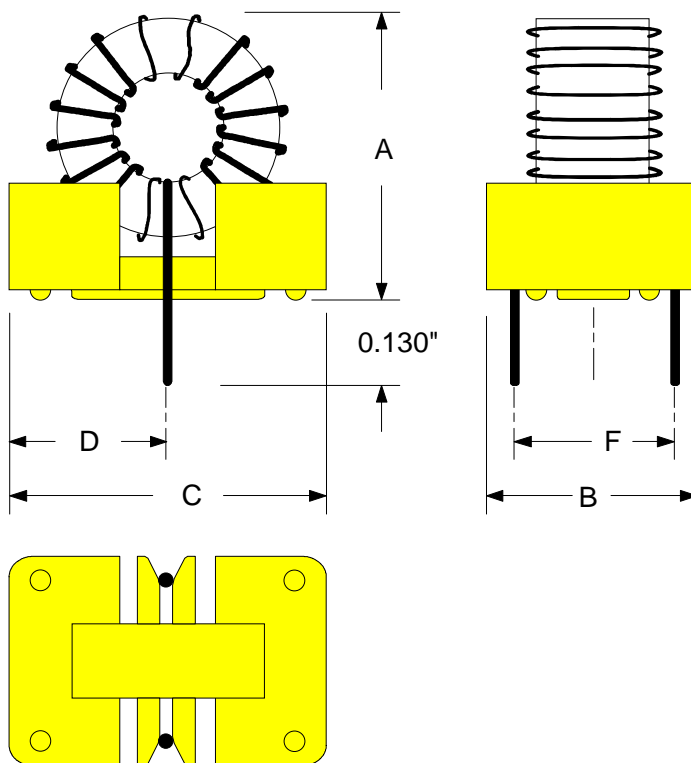
Electrical Specifications at 25°C

Parameter	Min.	Typ.	Max.	Units
Inductance (No DC) tested at 10mV _{RMS} @ 20 kHz (0 ADC)	45.0		65.0	μH
Inductance with DC ⁽¹⁾		68		μH
DCR			0.02	Ω
Energy Storage		306		μJ
Lead Diameter		.040		inches

Schematic Diagram



1) Typical value for Operating E-T Product of 90 V-μs and IDC = 3 Amps.



Physical Dimensions
inches (mm)

	Min.	Typ.	Max.
A		.95 (24.1)	
B	.590 (14.99)		.610 (15.49)
C		.950 (24.1)	
D		.475 (12.07)	
F		.450 (11.43)	

RHOMBUS P/N: L-20501

CUST P/N:

NAME:

DATE: 7/29/96

SHEET: 1 OF 1