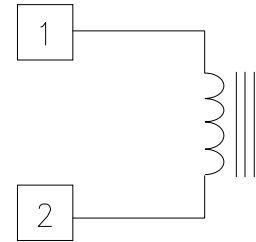


50 KHz SMPS Inductor - Toroid Mount Package

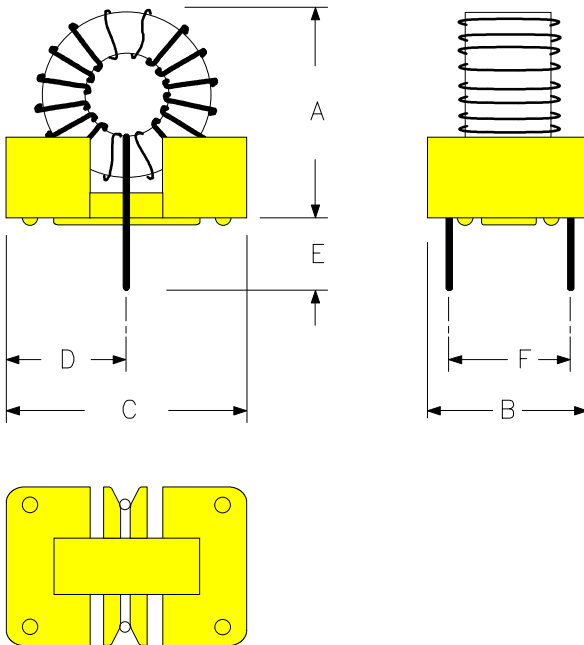
Electrical Specifications at 25°C

Parameter	Min.	Typ.	Max.	Units
Inductance (No DC) tested at 10mV _{RMS} @ 20 kHz (0 ADC)	30.4		45.6	μH
Inductance with DC ⁽¹⁾		47		μH
Energy Storage		211.5		μJ
DCR			0.05	Ω
Lead Diameter		.025		inches

Schematic Diagram



1) Typical value for Operating E-T Product of 90 V-μs and IDC = 3.0 Amps.



Physical Dimensions
inches (mm)

	Min.	Typ.	Max.
A		.65 (16.5)	
B	.440 (11.18)		.460 (11.68)
C	.640 (16.26)		.660 (16.76)
D		.475 (12.07)	
E	.110 (2.79)		
F		.450 (11.43)	

RHOMBUS P/N: L-20500

CUST P/N:

NAME:

DATE: 9/08/99

SHEET: 1 OF 1