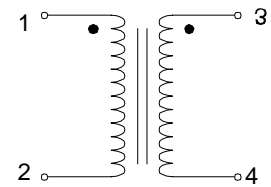


# 500 KHz COMMON MODE EMI INDUCTOR

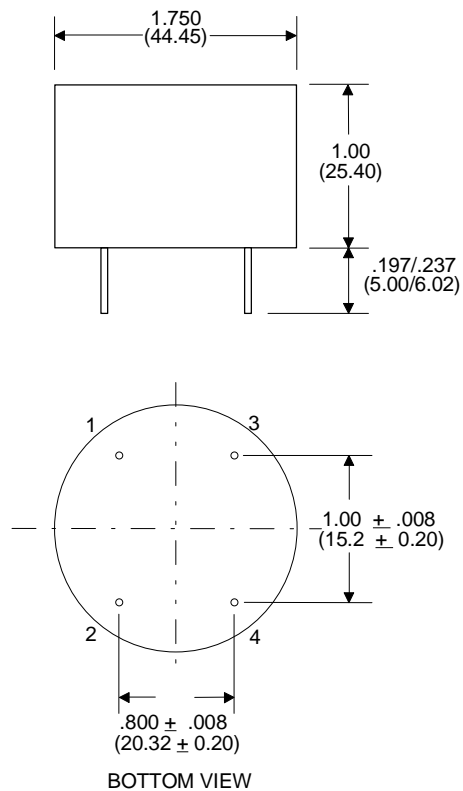
Electrical Specifications at 25°C

Parameter	Min.	Typ.	Max.	Units
Inductance (No DC)	1.26	1.80	2.34	mH
DCR			0.02	Ω
Rated Current			10	Amps
Leakage Inductance			25	μH

Schematic



Physical Dimensions  
inches (mm)



RHOMBUS P/N: L-20496

CUST P/N:

NAME:

DATE: 7/29/00

SHEET: 1 OF 1