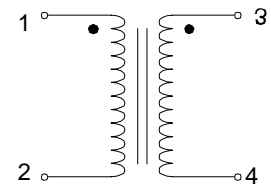


# 500 KHz COMMON MODE EMI INDUCTOR

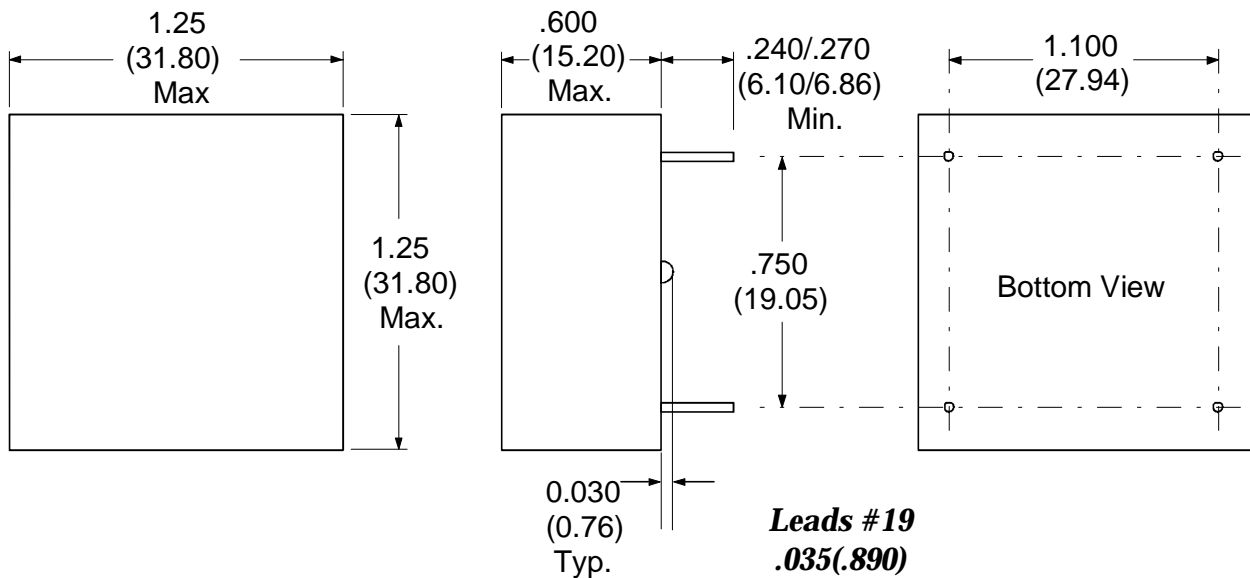
Electrical Specifications at 25°C

Parameter	Min.	Typ.	Max.	Units
Inductance (No DC)	0.84	1.20	1.56	mH
DCR			0.04	Ω
Rated Current			5.00	Amps
Leakage Inductance			15	μH

Schematic



Dimensions inches (mm)



RHOMBUS P/N: L-20489

CUST P/N:

NAME:

DATE: 7/29/00

SHEET: 1 OF 1