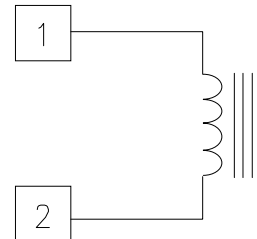


SMPS Inductor - Toroid Mount Package

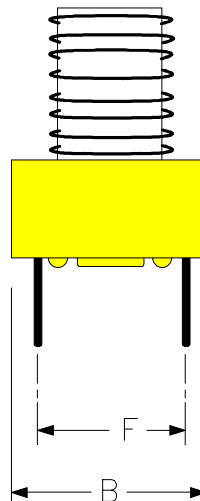
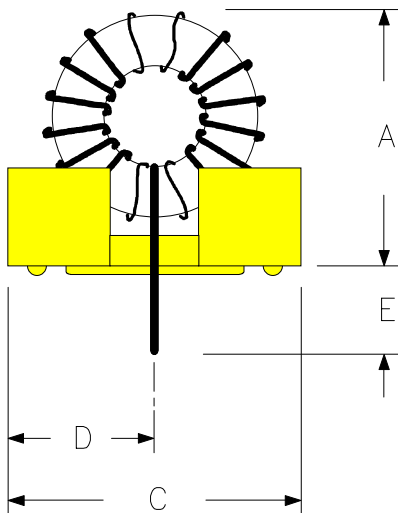
Electrical Specifications at 25°C

Parameter	Min.	Typ.	Max.	Units
Inductance (No DC) tested at $0.015 V_{RMS} / 1 \text{ kHz (0 ADC)}$	43.2		58.9	μH
Inductance with DC ⁽¹⁾		55.0		μH
DCR			0.02	Ω
Energy Storage	1300			μJ
Lead Diameter		.051		inches

Schematic Diagram

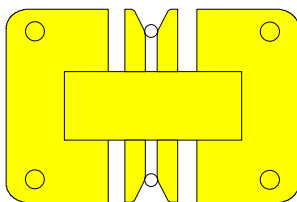


1) Typical value for Operating E-T Product of 150 V- μs and IDC = 7.0 Amps.



Physical Dimensions
inches (mm)

	Min.	Typ.	Max.
A		1.25 (31.8)	
B	.690 (15.5)		.710 (18.0)
C	1.24 (31.5)		1.26 (32.0)
D		.625 (15.88)	
E	.130 (3.30)		
F		.500 (12.70)	



RHOMBUS P/N: L-20436K

CUST P/N:

NAME:

DATE: 7/29/96

SHEET: 1 OF 1