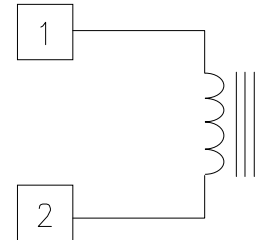


SMPS Inductor

Electrical Specifications at 25°C

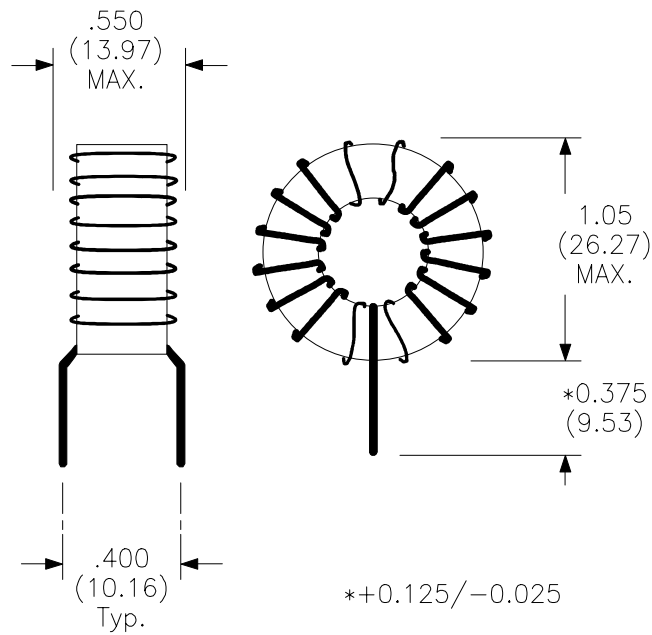
Parameter	Min.	Typ.	Max.	Units
Inductance (No DC) tested at 0.009V _{RMS} / 1 kHz (0 ADC)	48.3		65.9	μH
Inductance with DC ⁽¹⁾		55.0		μH
DCR			0.02	Ω
Energy Storage	650			μJ
Lead Diameter		.042		inches

Schematic Diagram



1) Typical value for Operating E-T Product of 100 V-μs and IDC = 5.0 Amps.

Physical Dimensions
inches (mm)



Lead Diameter = .041

RHOMBUS P/N: L-20434	
CUST P/N:	NAME:
DATE: 7/29/96	SHEET: 1 OF 1