

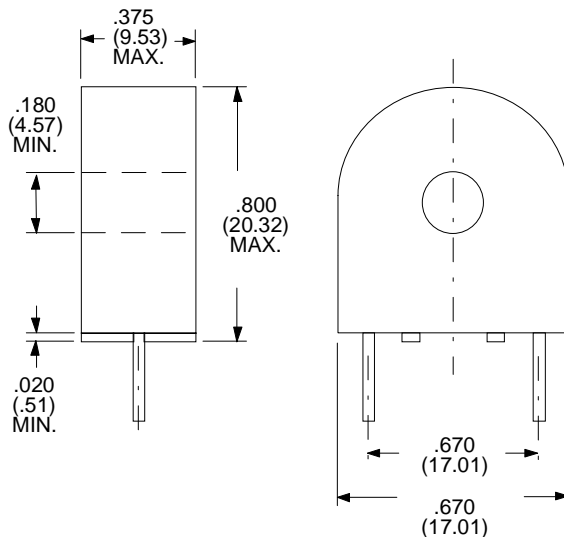
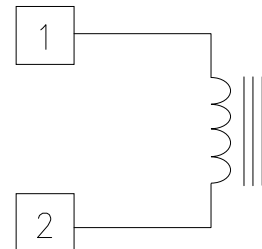
Electrical Specifications at 25°C

Parameter	Min.	Nom.	Max.	Units
Primary Current		10		A
Secondary Current		10		mA
<sup>1</sup> Inductance		2.2		H
DCR		60		Ω
Dielectric	4000			V <sub>RMS</sub>
Turns Ratio	1000:1			
<sup>2</sup> Volts Per Amp	0.200			V
<sup>2</sup> Power	20			mW

<sup>1</sup>Tested at 1 V, 60 kHz  
<sup>2</sup>200 Ω Load

# CURRENT SENSE INDUCTOR (10 Amps)

SCHEMATIC  
DIAGRAM:



PHYSICAL DIMENSIONS  
All dimensions in inches (mm):

- 1) Diameter of hole is .170 Min.
- 2) Leads are 20AWG
- 3) Lead length is .370 Min.

RHOMBUS P/N: <b>L-20001</b>	
CUST P/N: <b>2/21/00</b>	NAME:
DATE:	SHEET: 1 OF 1